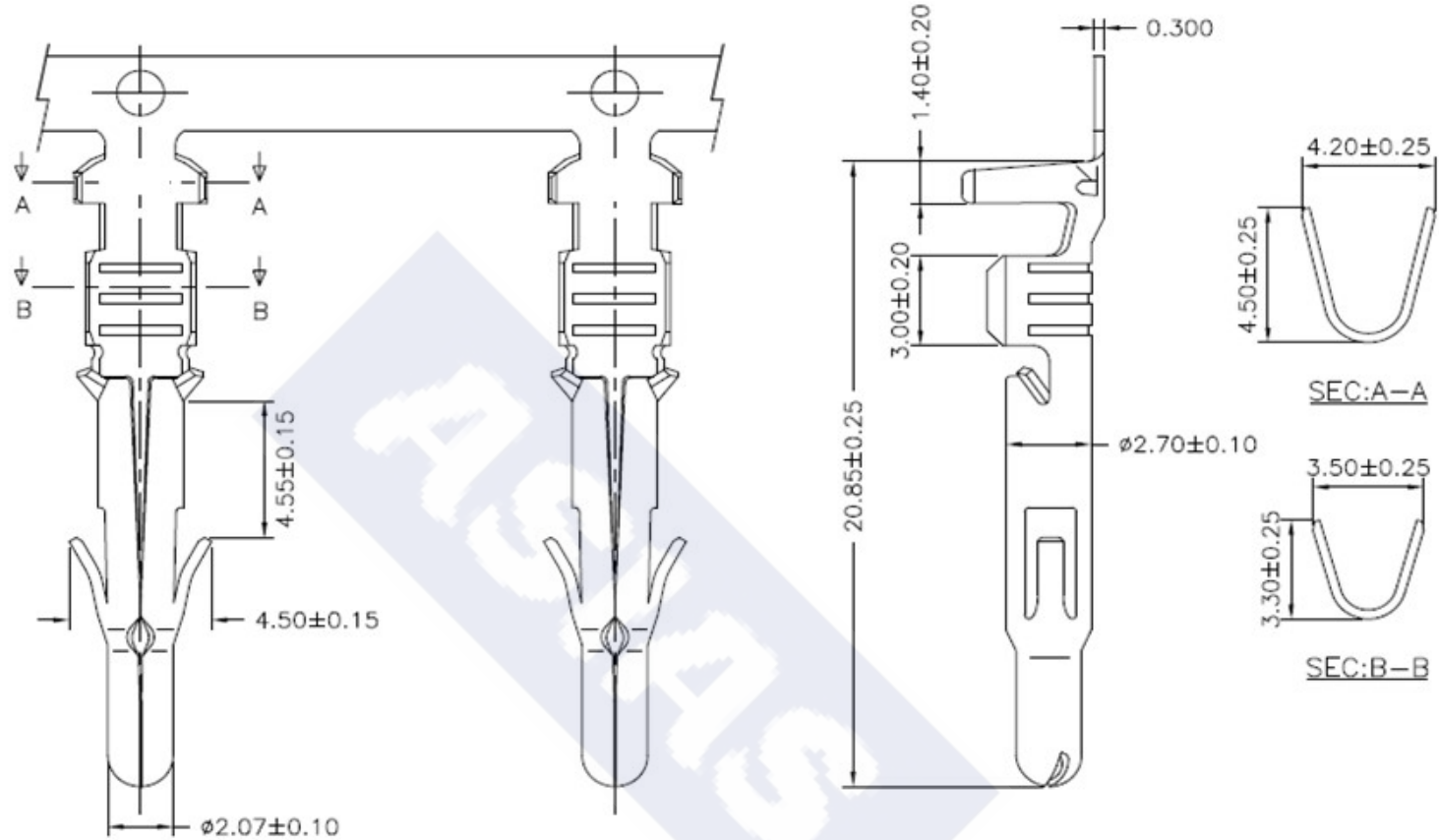


RoHS


Reach



Ordering Information & Specification

Part NO.	Wire Range	Insulation O.D.	Material	Finish	SPQ
6350JTM-TB	AWG#14~AWG#20	3.30mm(max)	Brass	Tin-plated	4,000 pcs/reel

** Stamping before plating

	DESCRIPTION : 6.35mm Pitch, Crimp Terminal, Male Type	GENERAL TOLERANCE	
	PART NO. : 6350JTM-TB	X.X \pm 0.25 X.XX \pm 0.15 X.XXX \pm 0.05	SCALE : Free 