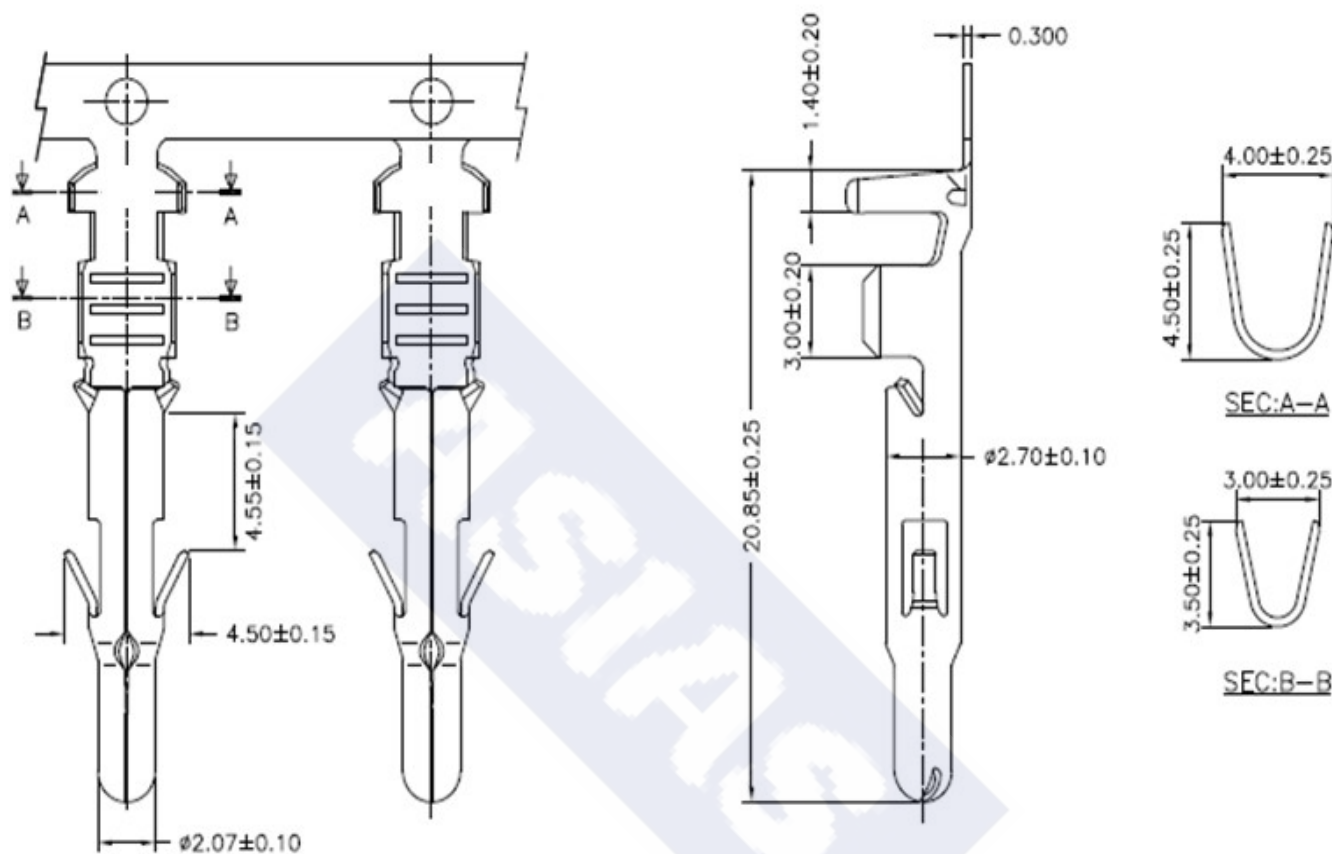


RoHS


Reach



## Ordering Information &amp; Specification

Part NO.	Wire Range	Insulation O.D.	Material	Finish	SPQ
6350JTM-TB-A	AWG#14~AWG#20	3.30mm(max)	Brass	Tin-plated	5,000 pcs/reel

\*\* Stamping before plating

	<b>DESCRIPTION :</b> 6.35mm Pitch, Crimp Terminal, Male Type, A Type	<b>GENERAL TOLERANCE</b>	
	<b>PART NO. :</b> 6350JTM-TB-A	X.X $\pm 0.25$ X.XX $\pm 0.15$ X.XXX $\pm 0.05$	SCALE : Free 