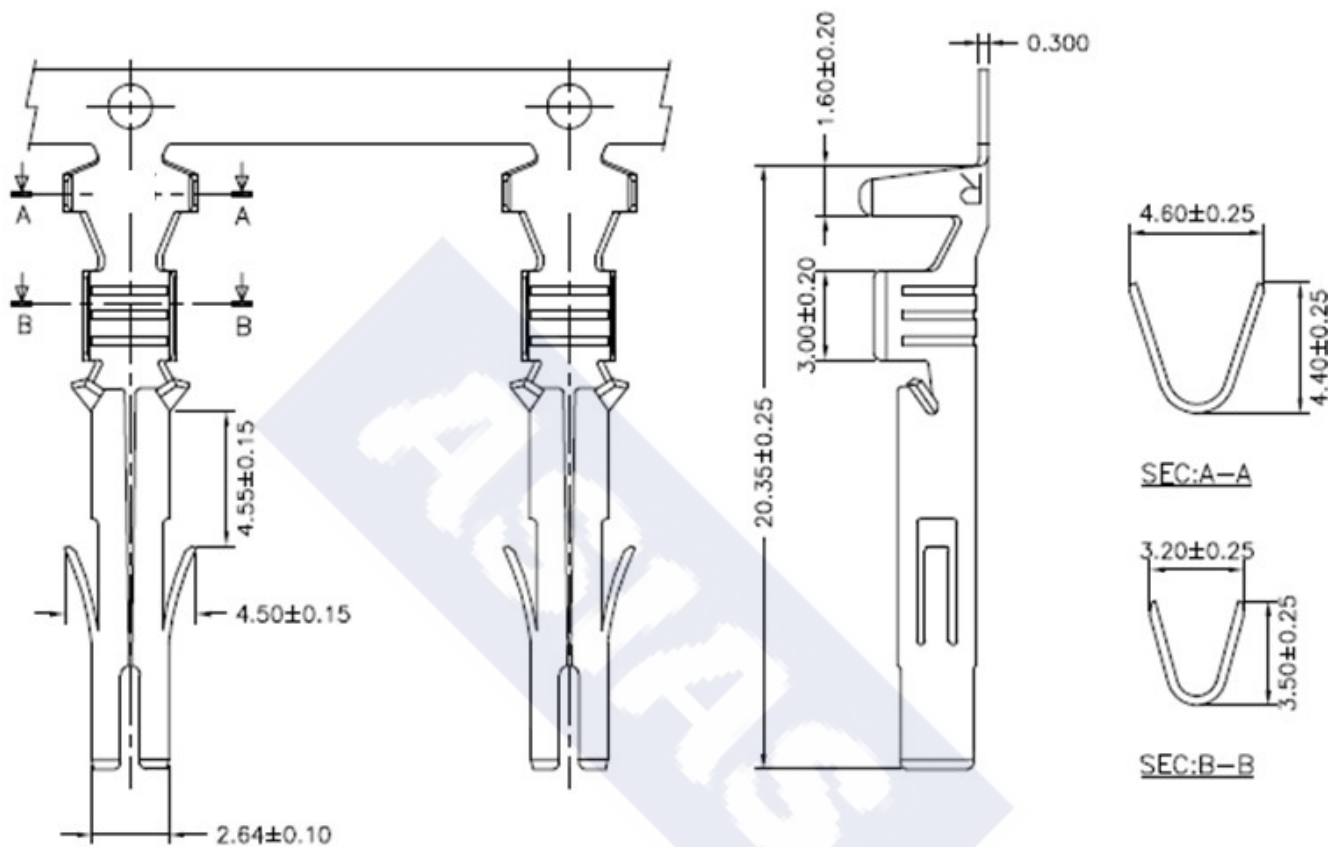


RoHS

Reach



Ordering Information & Specification

Part NO.	Wire Range	Insulation O.D.	Material	Finish	SPQ
6350JTF-TB	AWG#14~AWG#20	3.30mm(max)	Brass	Tin-plated	4,000 pcs/reel

\*\* Stamping before plating

	<b>DESCRIPTION :</b> <b>6.35mm Pitch,</b> <b>Crimp Terminal, Female Type</b>	<b>GENERAL TOLERANCE</b>	
	<b>PART NO. :</b> <b>6350JTF-TB</b>	X.X ± 0.25 X.XX ± 0.15 X.XXX ± 0.05	SCALE : Free 