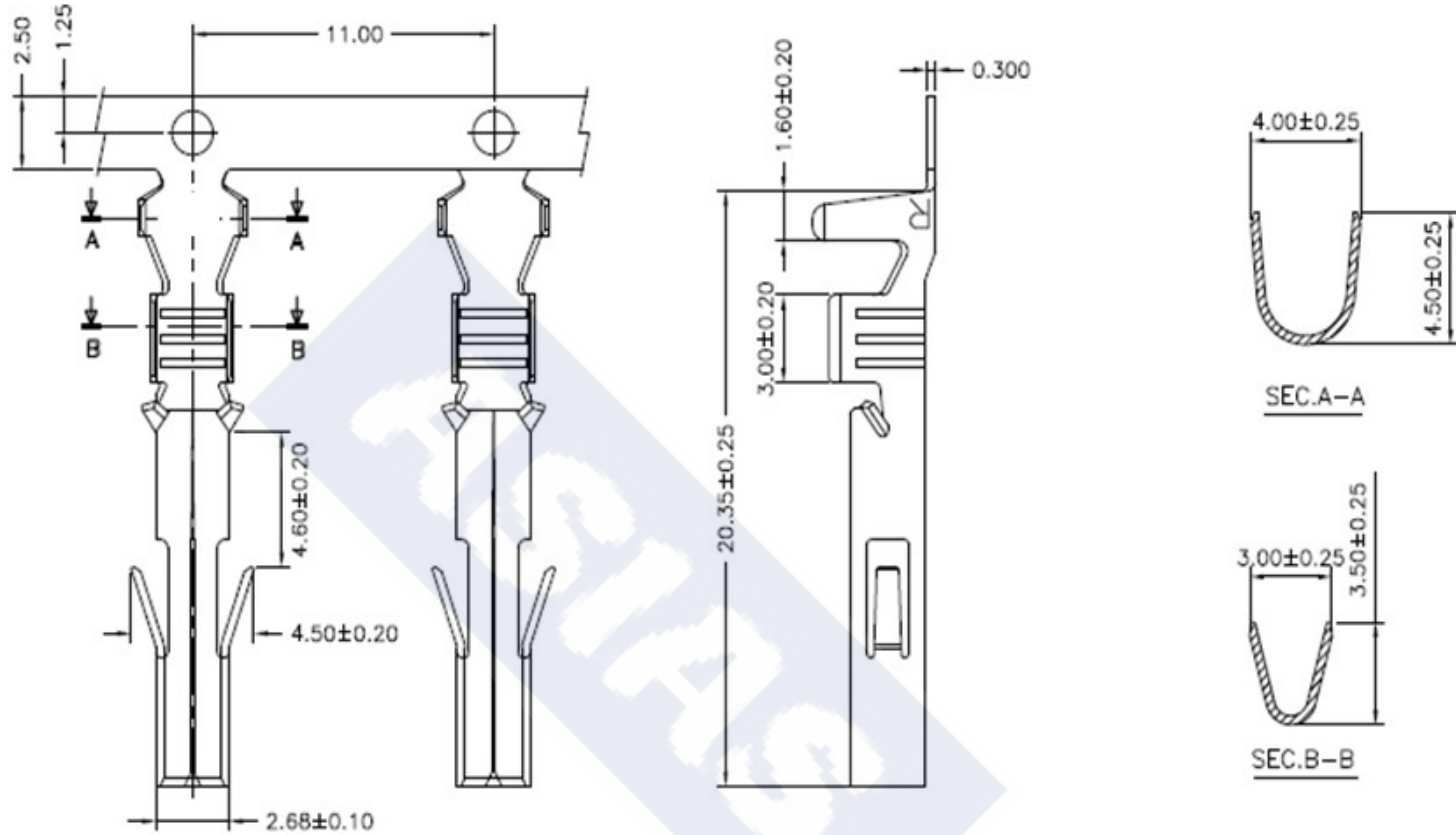


RoHS


Reach



Ordering Information & Specification

Part NO.	Wire Range	Insulation O.D.	Material	Finish	SPQ
6350JTF-TB-A	AWG#14~AWG#20	3.30mm(max)	Brass	Tin-plated	5,000 pcs/reel

** Stamping before plating

	DESCRIPTION : 6.35mm Pitch, Crimp Terminal, Female Type, A Type	GENERAL TOLERANCE	
	PART NO. : 6350JTF-TB-A	X.X ± 0.25 X.XX ± 0.15 X.XXX ± 0.05	SCALE : Free 