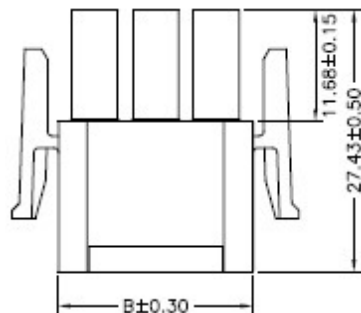
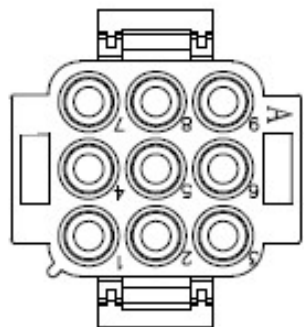
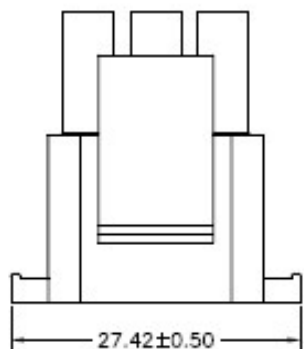
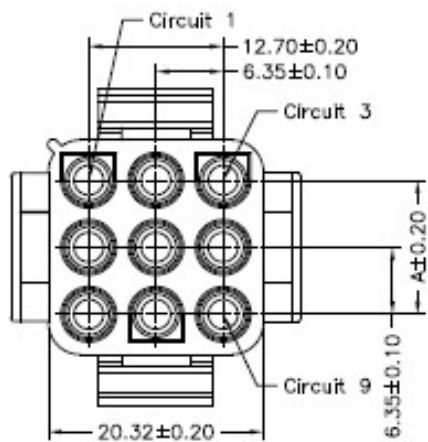


RoHS

Reach



Ordering Information & Dimension

Circuit NO.	Dimensions	
	A	B
06	6.35	13.97
09	12.70	20.32
12	19.05	26.67
15	25.40	33.02

Explanation of PN.

6350J HF T XX - X XX

① ② ③ ④ ⑤ ⑥

- ① Series No.
- ② Connector Type : Female Housing
- ③ Row Type : Triple Row
- ④ Circuits No.
- ⑤ Insulator Material : 2: Nylon66, UL 94-V2
3: Nylon66, UL 94-V0
7: Nylon66, UL 94-V2(No Flame)
- ⑥ Color : NL: Natural(Translucent) -- Nylon66, UL 94-V2
WH: Natural(White) -- Nylon66, UL 94-V0
NL: Natural(Beige) -- Nylon66, UL 94-V2(No Flame)

Specification :

Current Rating : 15A AC,DC

Voltage Rating : 600V AC,DC

Temperature Range : -25°C ~ +85°C

Contact Resistance : 3.5mΩ Max.

Insulation Resistance : 1000mΩ Min.

Withstanding Voltage : 5000V AC/minute

Insulator Material : Nylon66, UL 94-V2 or
Nylon66, UL 94-V0 or
Nylon66, UL 94-V2 (No Flame)



DESCRIPTION :
6.35mm Pitch, Housing,
Triple row, Female Type,
Without Mounting Ear

PART NO. :
6350JHFTXX-XXX

GENERAL TOLERANCE

X.X ± 0.25
X.XX ± 0.15
X.XXX ± 0.05

SCALE : Free

