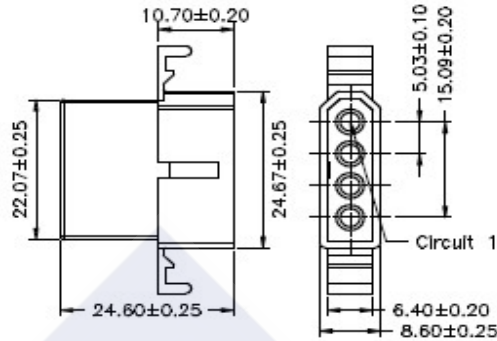


RoHS

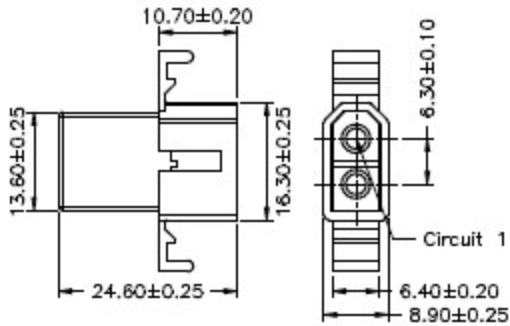
Reach



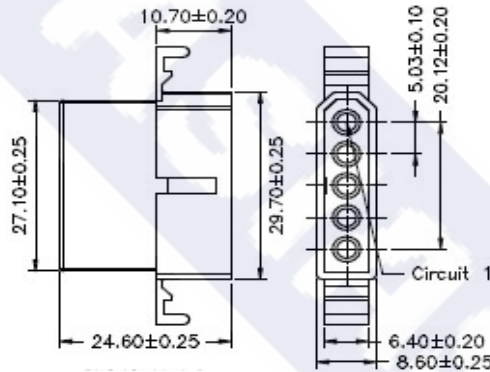
5030HM101-XNL



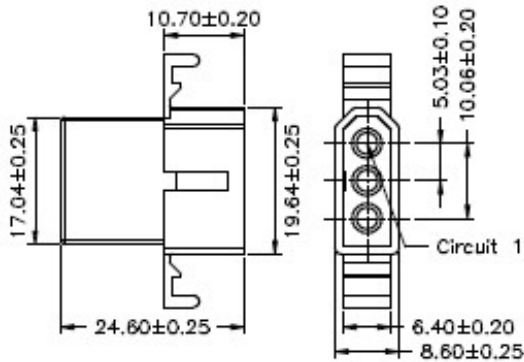
5030HM104-XNL



5030HM102-XNL



5030HM105-XNL



5030HM103-XNL

Ordering Information :

1. There is only 01, 02, 03, 04 and 05 positions products.
2. The product without the mounting ear is also available and the part number is **5030JHMXX-XNL**

Explanation of PN.

5030J HM 1 XX - X NL

① ② ③ ④ ⑤ ⑥

- ① Series No.
- ② Connector Type : Male Housing
- ③ Option Type : With Mounting Ear
- ④ Circuits No.
- ⑤ Insulator Material : 2: Nylon66, UL 94-V2
7: Nylon66, UL 94-V2(No Flame)
- ⑥ Color : Natural(Translucent)

Specification :

- Current Rating : 12A AC,DC
- Voltage Rating : 250V AC,DC
- Temperature Range : -25°C ~ +85°C
- Contact Resistance : 10mΩ Max.
- Insulation Resistance : 1000mΩ Min.
- Withstanding Voltage : 1500V AC/minute
- Insulator Material : Nylon66, UL 94-V2 or Nylon66, UL 94-V2 (No Flame)



DESCRIPTION :
5.03mm Pitch, Housing,
Single row, Male Type,
With Mounting Ear

PART NO. :
5030JHM1XX-XNL

GENERAL TOLERANCE

X.X ± 0.25
 X.XX ± 0.15
 X.XXX ± 0.05

SCALE : Free

