

RoHS

Reach

Explanation of PN.

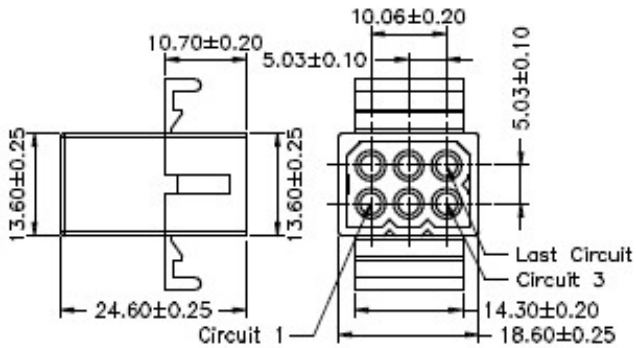
5030J HM 1 T XX - X NL

① ② ③ ④ ⑤ ⑥ ⑦

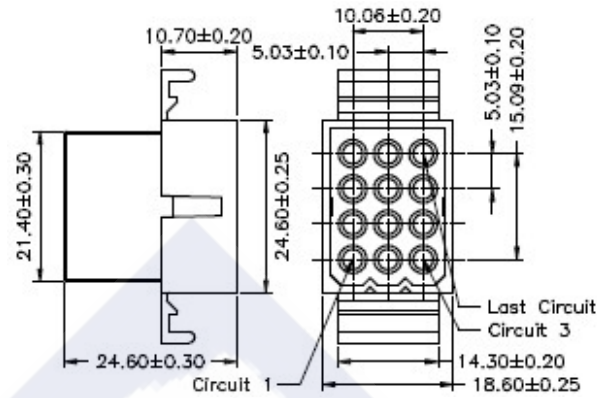
- ① Series No.
- ② Connector Type : Male Housing
- ③ Option Type : With Mounting Ear
- ④ Row Type : Triple Row
- ⑤ Circuits No.
- ⑥ Insulator Material : 2: Nylon66, UL 94-V2
7: Nylon66, UL 94-V2(No Flame)
- ⑦ Color : Natural(Translucent)

Specification :

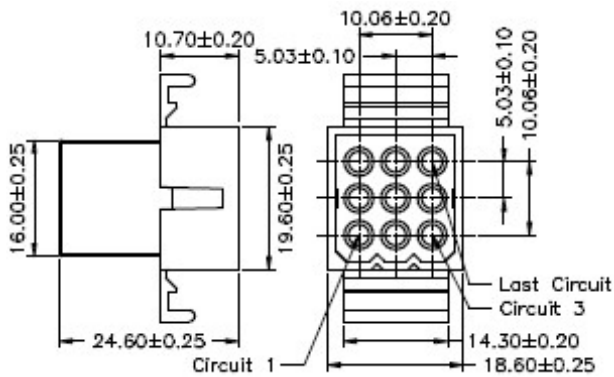
- Current Rating : 12A AC,DC
- Voltage Rating : 250V AC,DC
- Temperature Range : -25°C ~ +85°C
- Contact Resistance : 10mΩ Max.
- Insulation Resistance : 1000mΩ Min.
- Withstanding Voltage : 1500V AC/minute
- Insulator Material : Nylon66, UL 94-V2 or Nylon66, UL 94-V2 (No Flame)



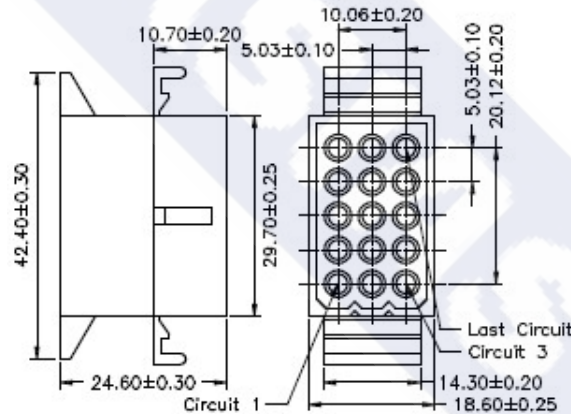
5030HM1T06-XNL



5030HM1T12-XNL



5030HM1T09-XNL



5030HM1T15-XNL

Ordering Information :

- 1. There is only 06, 09, 12 and 15 positions products.
- 2. The product without the mounting ear is also available and the part number is 5030JHMTXX-XNL

	DESCRIPTION : 5.03mm Pitch, Housing, Triple row, Male Type, With Mounting Ear	GENERAL TOLERANCE	
	PART NO. : 5030JHM1TXX-XNL	X.X ± 0.25 X.XX ± 0.15 X.XXX ± 0.05	SCALE : Free