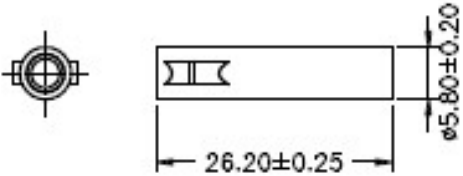
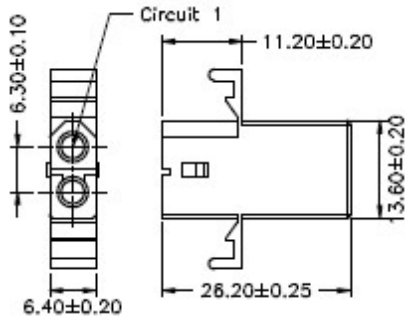


RoHS

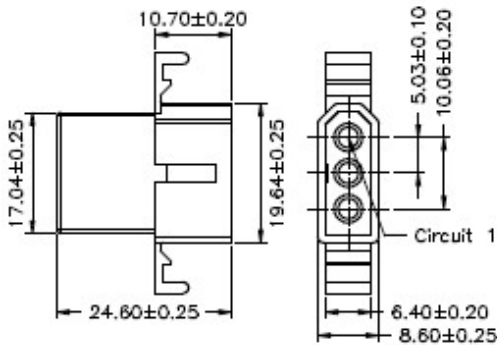
Reach



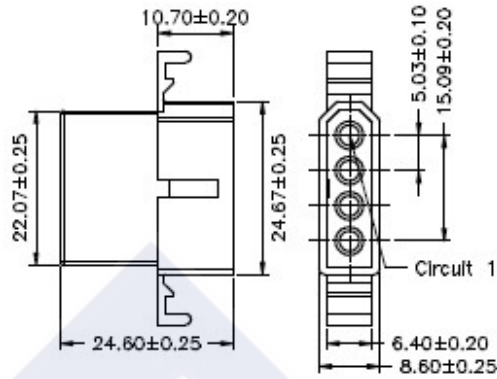
5030HF101-XNL



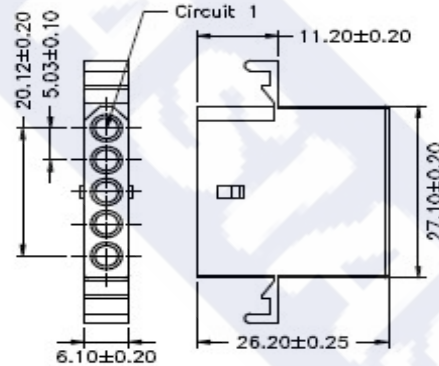
5030HM102-XNL



5030HF103-XNL



5030HF104-XNL



5030HF105-XNL

Ordering Information :

1. There is only 01, 02, 03, 04 and 05 positions products.
2. The product without the mounting ear is also available and the part number is **5030JHFXX-XNL**

Explanation of PN.

**5030J HF 1 XX - X NL**

①                    ②                    ③                    ④                    ⑤                    ⑥

- ① Series No.
- ② Connector Type : Female Housing
- ③ Option Type : With Mounting Ear
- ④ Circuits No.
- ⑤ Insulator Material : 2: Nylon66, UL 94-V2  
7: Nylon66, UL 94-V2(No Flame)
- ⑥ Color : Natural(Translucent)

Specification :

- Current Rating : 12A AC,DC
- Voltage Rating : 250V AC,DC
- Temperature Range : -25°C ~ +85°C
- Contact Resistance : 10mΩ Max.
- Insulation Resistance : 1000mΩ Min.
- Withstanding Voltage : 1500V AC/minute
- Insulator Material : Nylon66, UL 94-V2 or Nylon66, UL 94-V2 (No Flame)

|  |  |   |                      |
|--|--|---|----------------------|
|  | <b>DESCRIPTION :</b><br><b>5.03mm Pitch, Housing, Single row, Female Type, With Mounting Ear</b> | <b>GENERAL TOLERANCE</b>                  |                      |
|  | <b>PART NO. :</b><br><b>5030JHF1XX-XNL</b>   | X.X ± 0.25<br>X.XX ± 0.15<br>X.XXX ± 0.05 | SCALE : Free<br><br> |