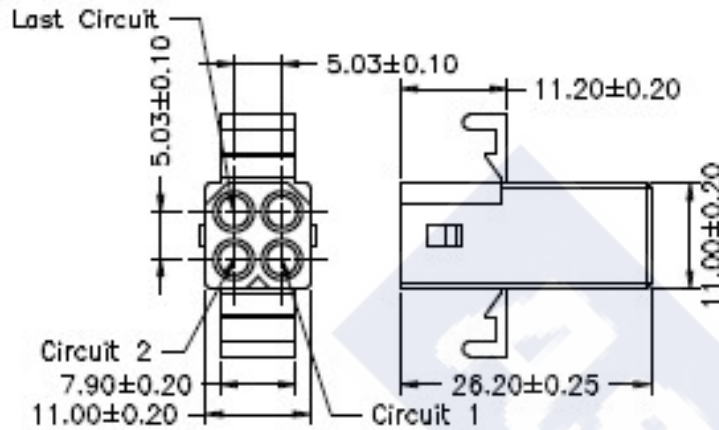


RoHS

Reach



5030HF1D04-XNL

Ordering Information :

1. There is only 04 positions products
2. The product without the mounting ear is also available and the part number is **5030JHFDXX-XNL**.

Explanation of PN.


5030J HF 1 D XX - X NL

① ② ③ ④ ⑤ ⑥ ⑦

- ① Series No.
- ② Connector Type : Female Housing
- ③ Option Type : With Mounting Ear
- ④ Row Type : Dual Row
- ⑤ Circuits No.
- ⑥ Insulator Material : 2: Nylon66, UL 94-V2
7: Nylon66, UL 94-V2(No Flame)
- ⑦ Color : Natural(Translucent)

Specification :

Current Rating :	12A AC,DC
Voltage Rating :	250V AC,DC
Temperature Range :	-25°C ~ +85°C
Contact Resistance :	10mΩ Max.
Insulation Resistance :	1000mΩ Min.
Withstanding Voltage :	1500V AC/minute
Insulator Material :	Nylon66, UL 94-V2 or Nylon66, UL 94-V2 (No Flame)

	DESCRIPTION : 5.03mm Pitch, Housing, Dual row, Female Type, With Mounting Ear	GENERAL TOLERANCE	
	PART NO. : 5030JHF1DXX-XNL	X.X ± 0.25 X.XX ± 0.15 X.XXX ± 0.05	SCALE : Free 