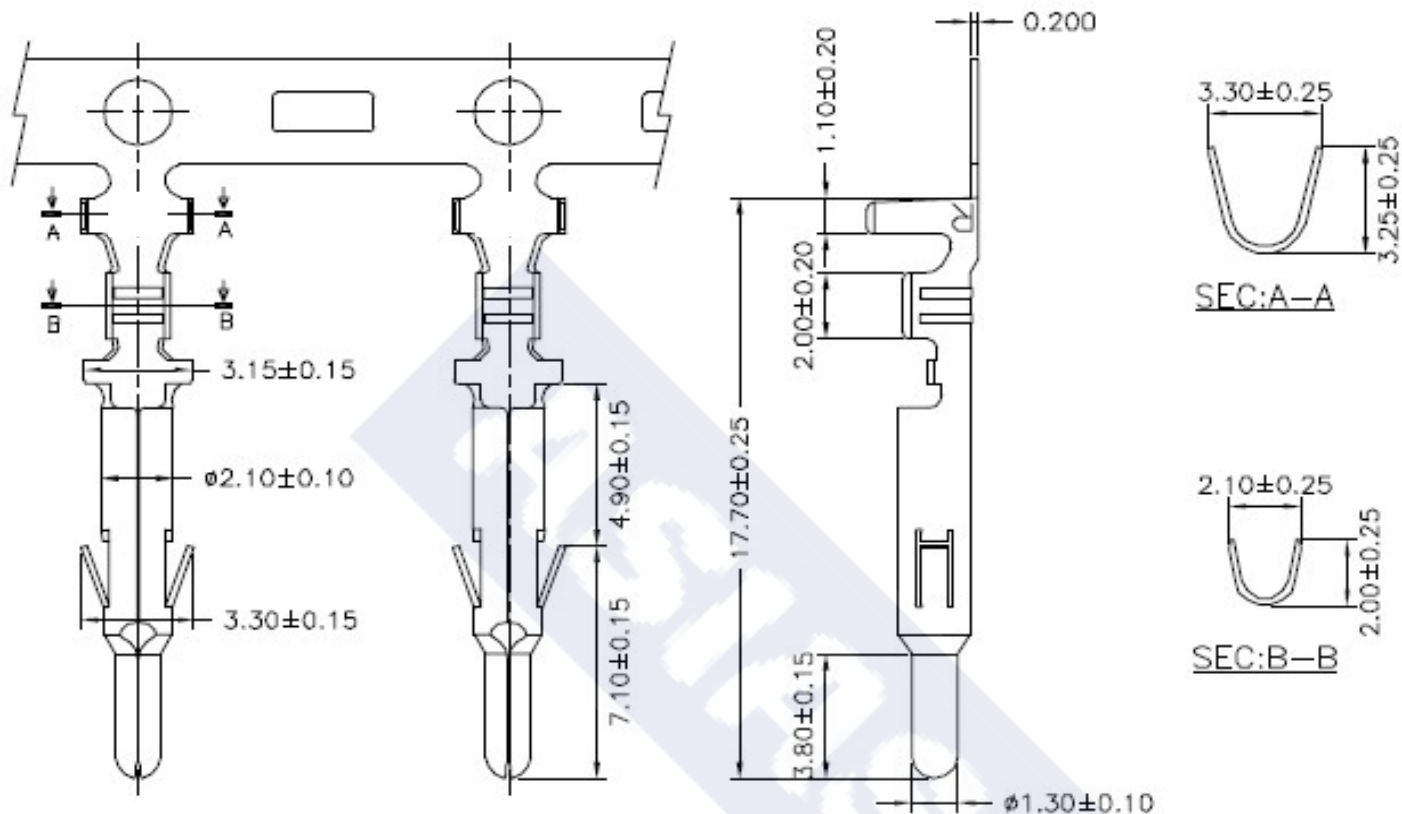


RoHS

Reach



Ordering Information & Specification

| Part NO. | Wire Range | Insulation O.D. | Material | Finish | SPQ |
|------------|---------------|-----------------|----------|------------|----------------|
| 4500JTM-TB | AWG#20~AWG#26 | 2.70mm(max) | Brass | Tin-plated | 5,000 pcs/reel |

** Stamping before plating

| | | | |
|--|--|---|------------------|
| | DESCRIPTION : 4.50mm Pitch, Crimp Terminal, Male Type | GENERAL TOLERANCE | |
| | PART NO. : 4500JTM-TB | X.X ± 0.25 X.XX ± 0.15 X.XXX ± 0.05 | SCALE : Free |