

RoHS

Reach

Explanation of PN.

**4500J HM 1 XX - 3 WH**

① ② ③ ④ ⑤ ⑥

- ① Series No.
- ② Connector Type : Male Housing
- ③ Option Type : With Mounting Ear
- ④ Circuits No.
- ⑤ Insulator Material : Nylon66, UL 94-V0
- ⑥ Color : White

Specification :

Current Rating : 10A AC,DC

Voltage Rating : 300V AC,DC

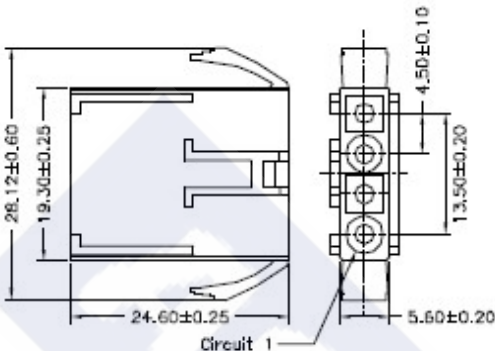
Temperature Range : -25°C ~ +85°C

Contact Resistance : 7mΩ Max.

Insulation Resistance : 1000mΩ Min.

Withstanding Voltage : 1500V AC/minute

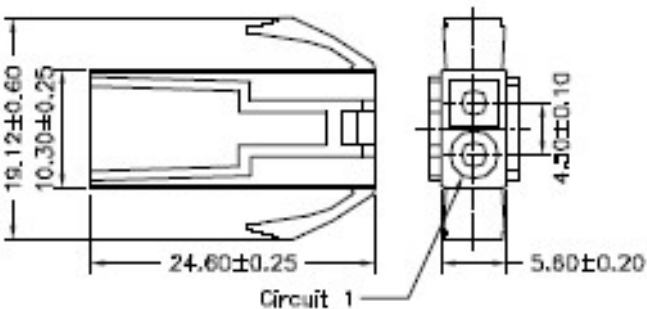
Insulator Material : Nylon66, UL 94-V0



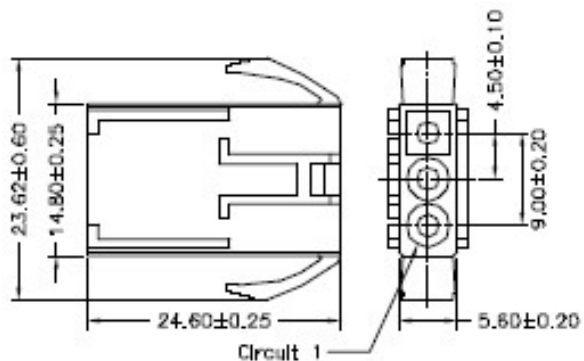
4500JHM104-3WH

Ordering Information :

There is only 02, 03 and 04 positions products.



4500JHM102-3WH



4500JHM103-3WH

	<b>DESCRIPTION :</b> <b>4.50mm Pitch, Housing,</b> <b>Single row, Male Type,</b> <b>With Mounting Ear</b>	<b>GENERAL TOLERANCE</b>	
	<b>PART NO. :</b> <b>4500JHM1XX-3WH</b>	X.X ± 0.25 X.XX ± 0.15 X.XXX ± 0.05	SCALE : Free  