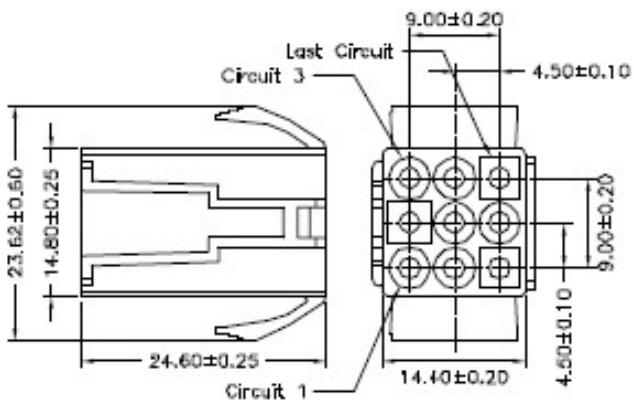
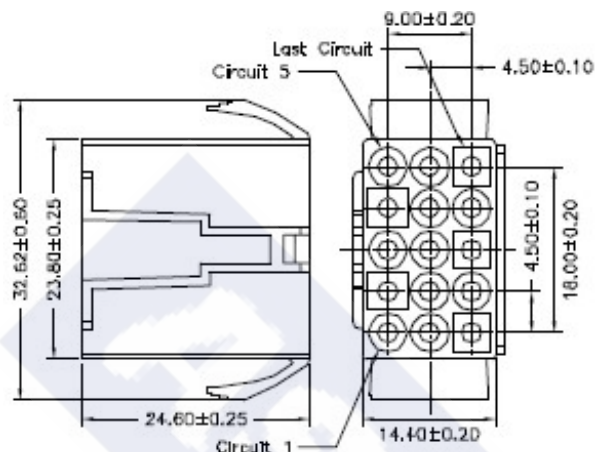


RoHS

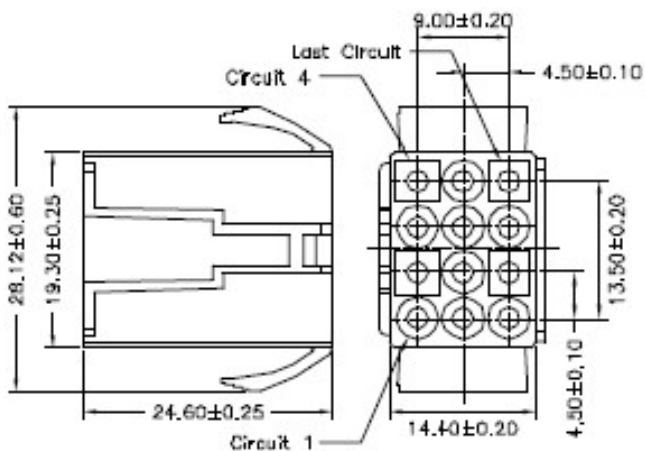
Reach



4500JHM1T09-3WH



4500JHM1D15-3WH



4500JHM1T12-3WH

Explanation of PN.

4500J HM 1 T XX - 3 WH

① ② ③ ④ ⑤ ⑥ ⑦

- ① Series No.
- ② Connector Type : Male Housing
- ③ Option Type : With Mounting Ear
- ④ Row Type : Triple Row
- ⑤ Circuits No.
- ⑥ Insulator Material : Nylon66, UL 94-V0
- ⑦ Color : White

Specification :

- Current Rating : 10A AC,DC
- Voltage Rating : 300V AC,DC
- Temperature Range : -25°C ~ +85°C
- Contact Resistance : 7mΩ Max.
- Insulation Resistance : 1000mΩ Min.
- Withstanding Voltage : 1500V AC/minute
- Insulator Material : Nylon66, UL 94-V0

Ordering Information :

There is only 09, 12 and 15 positions products.

	DESCRIPTION : 4.50mm Pitch, Housing, Triple row, Male Type, With Mounting Ear	GENERAL TOLERANCE	
	PART NO. : 4500JHM1TXX-3WH	X.X ± 0.25 X.XX ± 0.15 X.XXX ± 0.05	SCALE : Free