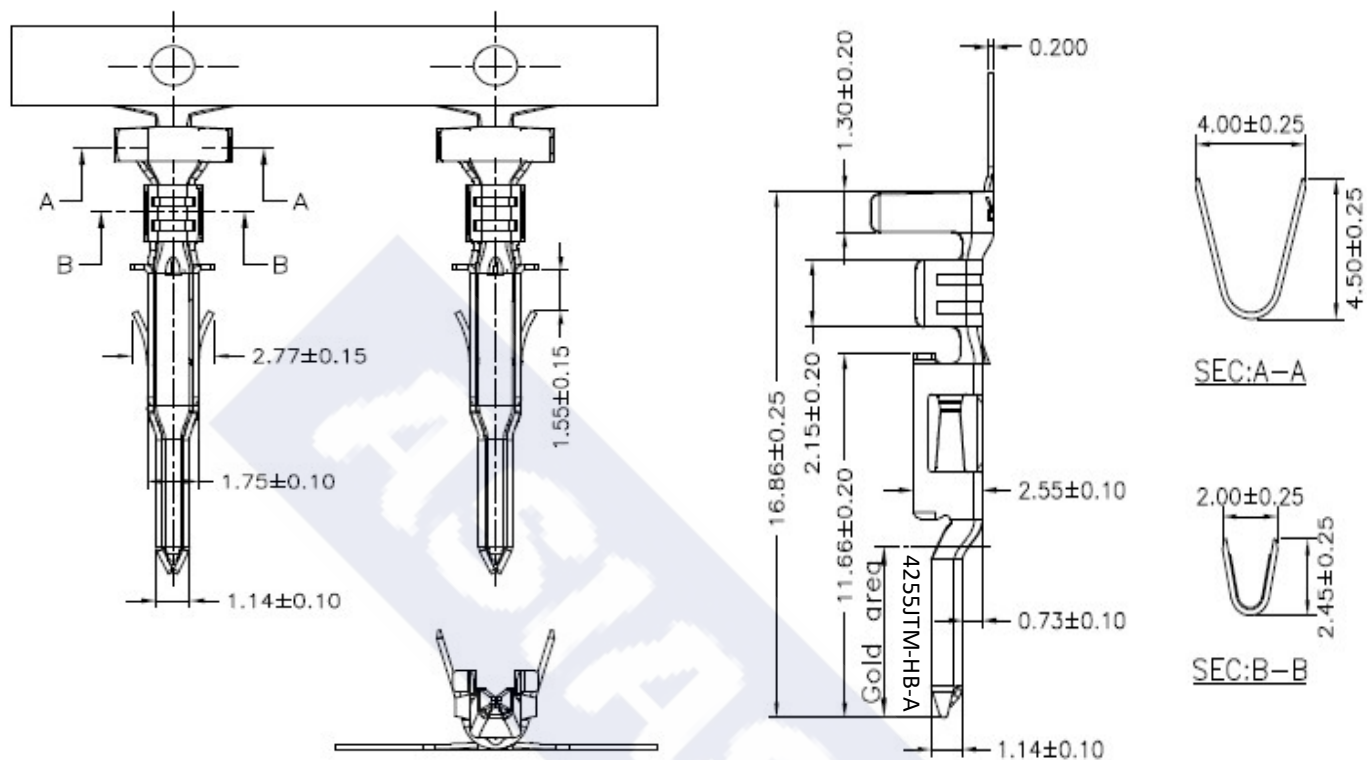


RoHS

Reach



## Ordering Information &amp; Specification

Part NO.	Wire Range	Insulation O.D.	Material	Finish	SPQ
4255JTM-TB-A	AWG#18~AWG#24	3.10mm(max)	Brass	Tin-plated	5,000 pcs/reel
4255JTM-HB-A	AWG#18~AWG#24	3.10mm(max)	Brass	Gold-flash	5,000 pcs/reel

\*\* Stamping before plating

**ASIAS** ASIAS TECHNOLOGY CO.,LTD.

**DESCRIPTION :**  
4.20mm Pitch,  
Crimp Terminal, Male Type,  
A Type

**PART NO. :**  
4255JTM-XX-A

**GENERAL TOLERANCE**

X.X ± 0.25  
X.XX ± 0.15  
X.XXX ± 0.05

SCALE : Free

