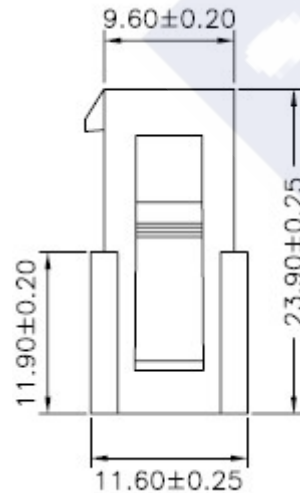
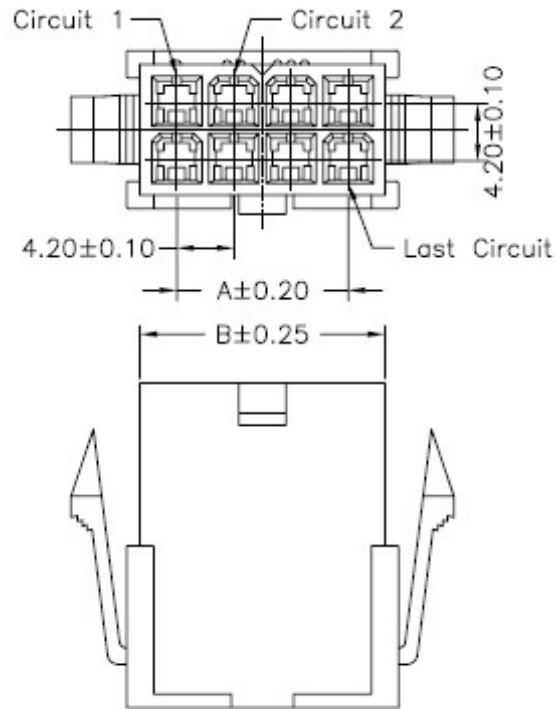


RoHS

Reach



Ordering Information & Dimension

Circuits No.	Dimensions	
	A	B
02	----	5.40
04	4.20	9.60
06	8.40	13.80
08	12.60	18.00
10	16.80	22.20
12	21.00	26.40
14	25.20	30.60
16	29.40	34.80
18	33.60	39.00
20	37.80	43.20
22	42.00	47.40
24	46.20	51.60

Explanation of PN.

4255J HM 1 D XX - X XX

① ② ③ ④ ⑤ ⑥ ⑦

- ① Series No.
 ② Connector Type : Male Housing
 ③ Option Type : With Mounting Ear
 ④ Row Type : Dual Row
 ⑤ Circuits No.
 ⑥ Insulator Material : 2 : Nylon66, UL 94-V2
 3 : Nylon66, UL 94-V0
 7 : Nylon66, UL 94-V2(No Flame)
 ⑥ Color : NL : Natural (Translucent) -- Nylon66, UL 94-V2
 WH : White -- Nylon66, UL 94-V0
 NL : Natural (Beige) -- Nylon66, UL 94-V2(No Flame)

Specification :

Current Rating : 9A AC,DC

Voltage Rating : 600V AC,DC

Temperature Range : -25°C ~ +85°C

Contact Resistance : 10mΩ Max.

Insulation Resistance : 1000mΩ Min.

Withstanding Voltage : 1500V AC/minute

Insulator Material : Nylon66, UL 94-V2 or
Nylon66, UL 94-V0 or
Nylon66, UL 94-V2(No Flame)

DESCRIPTION :
 4.20mm Pitch, Housing,
 Dual row, Male Type,
 With Mounting Ear

PART NO. :
 4255JHM1DXX-XXX

GENERAL TOLERANCE

X.X ± 0.25
 X.XX ± 0.15
 X.XXX ± 0.05

SCALE : Free

