

RoHS

Reach

Explanation of PN.

Ordering Information & Dimension

4255J HF D XX - X XX

① ② ③ ④ ⑤ ⑥

- ① Series No.
- ② Connector Type : Female Housing
- ③ Row Type : Dual Row
- ④ Circuits No.
- ⑤ Insulator Material : 2 : Nylon66, UL 94-V2  
3 : Nylon66, UL 94-V0  
7 : Nylon66, UL 94-V2(No Flame)
- ⑥ Color : NL : Natural (Translucent) -- Nylon66, UL 94-V2  
WH : White -- Nylon66, UL 94-V0  
NL : Natural (Beige) -- Nylon66, UL 94-V2(No Flame)

Circuits No.	Dimensions	
	A	B
02	----	5.40
04	4.20	9.60
06	8.40	13.80
08	12.60	18.00
10	16.80	22.20
12	21.00	26.40
14	25.20	30.60
16	29.40	34.80
18	33.60	39.00
20	37.80	43.20
22	42.00	47.40
24	46.20	51.60

Specification :

Current Rating : 9A AC,DC

Voltage Rating : 600V AC,DC

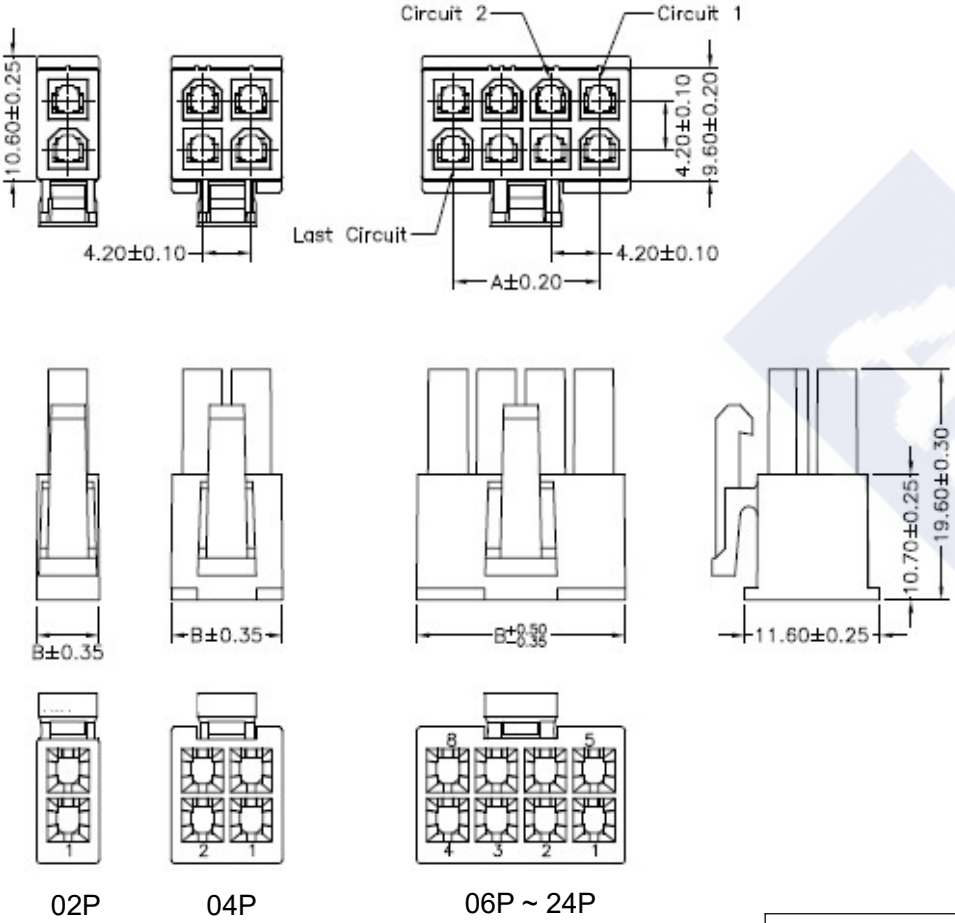
Temperature Range : -25°C ~ +85°C

Contact Resistance : 10mΩ Max.

Insulation Resistance : 1000mΩ Min.

Withstanding Voltage : 1500V AC/minute

Insulator Material : Nylon66, UL 94-V2 or  
Nylon66, UL 94-V0  
Nylon66, UL 94-V2(No Flame)



**DESCRIPTION :**  
4.20mm Pitch, Housing,  
Dual row, Female Type

**PART NO. :**  
4255JHFDXX-XXX

GENERAL TOLERANCE	
X.X ± 0.25	SCALE : Free 
X.XX ± 0.15	
X.XXX ± 0.05	