

RoHS

Reach

Ordering Information & Dimension

Circuits No.	Dimensions		Circuits No.	Dimensions		Circuits No.	Dimensions	
	A	B		A	B		A	B
02	----	3.80	10	12.00	15.80	18	24.00	27.80
04	3.00	6.80	12	15.00	18.80	20	27.00	30.80
06	6.00	9.80	14	18.00	21.80	22	30.00	33.80
08	9.00	12.80	16	21.00	24.80	24	33.00	36.80

Explanation of PN.

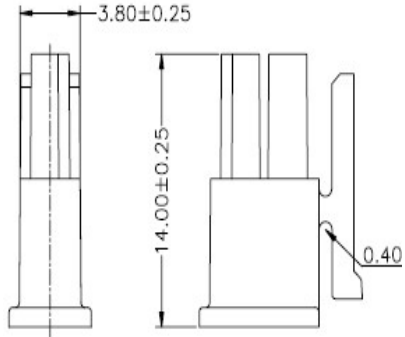
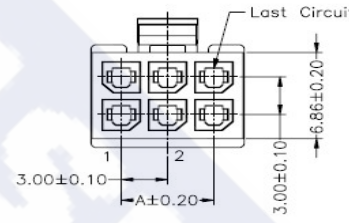
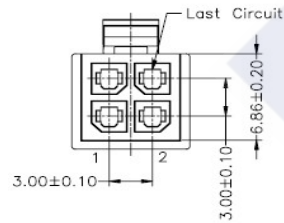
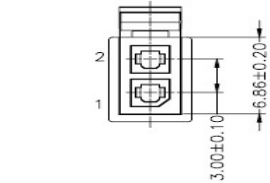
3030J HF D XX - X XX

① ② ③ ④ ⑤ ⑥

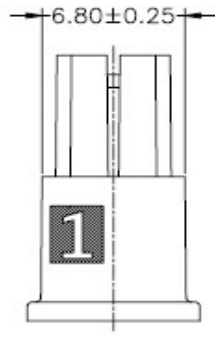
- ① Series No.
- ② Connector Type : Female Housing
- ③ Row Type : Dual Row
- ④ Circuits No.
- ⑤ Insulator Material : 2 : Nylon66, UL 94-V2
3 : Nylon66, UL 94-V0
7 : Nylon66, UL 94-V2(No Flame)
- ⑥ Color : BK : Black -- Nylon66, UL 94-V2
BK : Black -- Nylon66, UL 94-V0
NL : Natural (Beige) -- Nylon66, UL 94-V2(No Flame)

Specification :

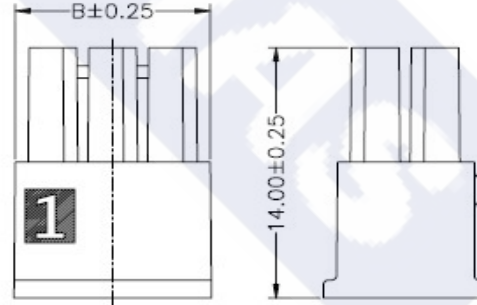
- Current Rating : 5A AC,DC
- Voltage Rating : 250V AC,DC
- Temperature Range : -25°C ~ +85°C
- Contact Resistance : 10mΩ Max.
- Insulation Resistance : 1000mΩ Min.
- Withstanding Voltage : 1500V AC/minute
- Insulator Material : Nylon66, UL 94-V2 or
Nylon66, UL 94-V0
Nylon66, UL 94-V2(No Flame)



02P



04P



06P ~ 24P



DESCRIPTION :
3.00mm Pitch, Housing,
Dual row, Female Type

PART NO. :
3030JHFDXX-XXX

GENERAL TOLERANCE

X.X ± 0.25
X.XX ± 0.15
X.XXX ± 0.05

SCALE : Free

