

RoHS

Reach

Explanation of PN.

2505J HF 1 XX - 3 BK

① ② ③ ④ ⑤ ⑥

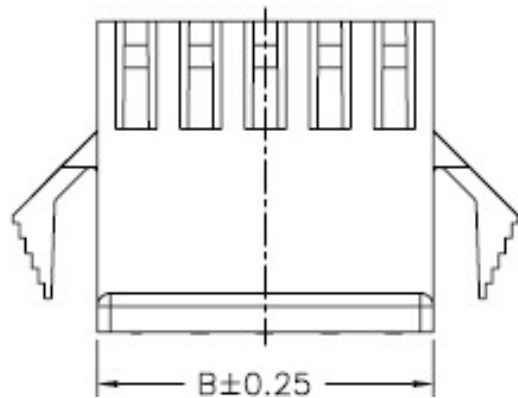
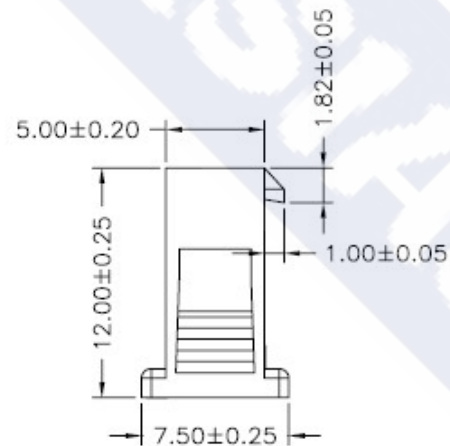
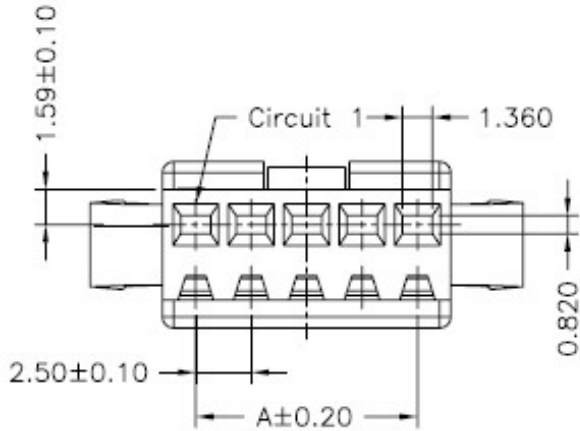
- ① Series No.
- ② Connector Type : Female Housing
- ③ Option Type : With Mounting Ear
- ④ Circuits No.
- ⑤ Insulator Material : Nylon66, UL 94-V0
- ⑥ Color : Black


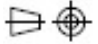
Specification :

- Current Rating : 3A AC,DC
- Voltage Rating : 250V AC,DC
- Temperature Range : -25°C ~ +85°C
- Contact Resistance : 10mΩ Max.
- Insulation Resistance : 500mΩ Min.
- Withstanding Voltage : 1500V AC/minute
- Insulator Material : Nylon66, UL 94-V0

Ordering Information & Dimension

| Circuit NO. | Dimensions | | Circuit NO. | Dimensions | |
|-------------|------------|-------|-------------|------------|-------|
| | A | B | | A | B |
| 02 | 2.50 | 8.00 | 08 | 17.50 | 23.00 |
| 03 | 5.00 | 10.50 | 09 | 20.00 | 25.50 |
| 04 | 7.50 | 13.00 | 10 | 22.50 | 28.00 |
| 05 | 10.00 | 15.50 | 11 | 25.00 | 30.50 |
| 06 | 12.50 | 18.00 | 12 | 27.50 | 33.00 |
| 07 | 15.00 | 20.50 | | | |



| | | | |
|--|--|---|---|
|  | DESCRIPTION : 2.50mm Pitch, Housing, Single row, Female Type, With Mounting Ear | GENERAL TOLERANCE | |
| | PART NO. : 2505JHF1XX-3BK | X.X ± 0.25 X.XX ± 0.15 X.XXX ± 0.05 | SCALE : Free  |