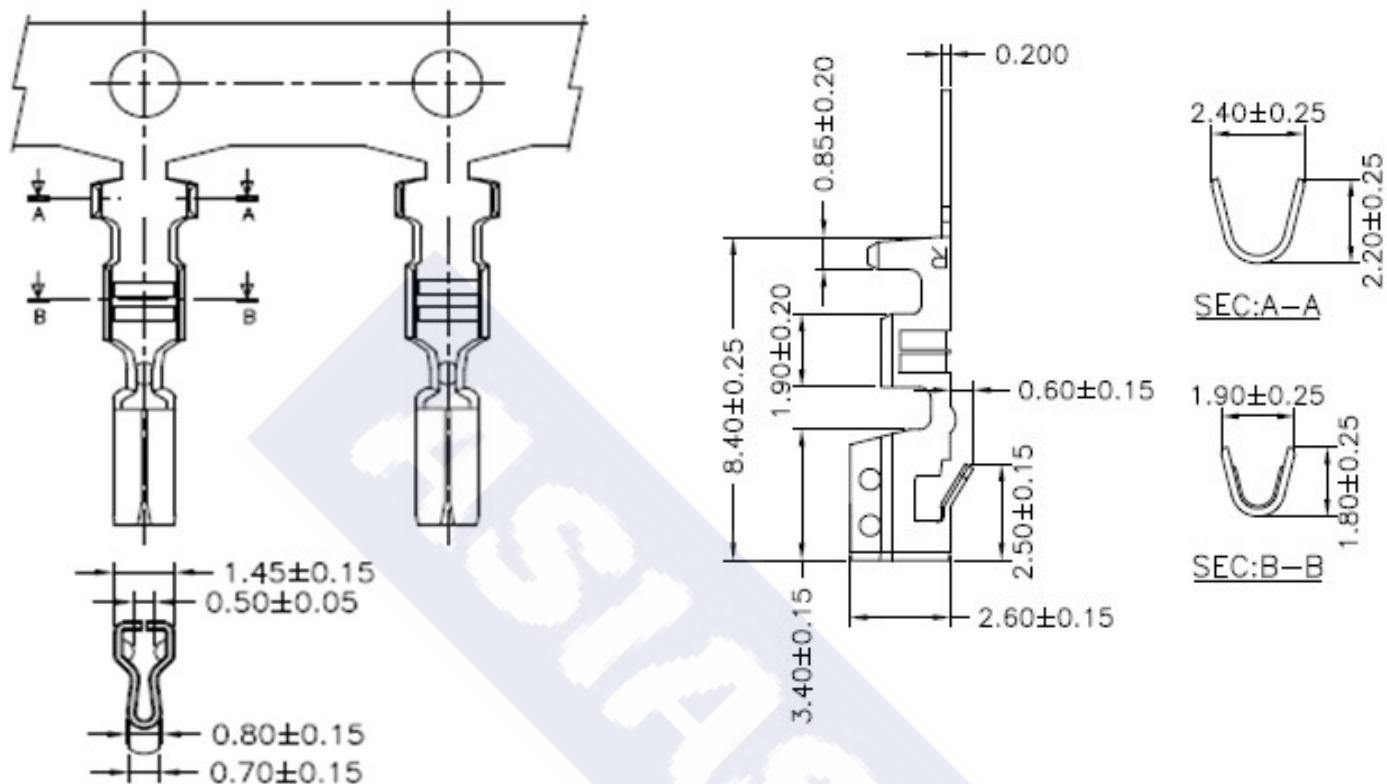


RoHS

Reach



## Ordering Information &amp; Specification

Part NO.	Wire Range	Insulation O.D.	Material	Finish	SPQ
2504JTF-TB	AWG#22~AWG#28	1.90mm(max)	Brass	Tin-plated	10,000 pcs/reel
2504JTF-TP	AWG#22~AWG#28	1.90mm(max)	Phosphor Bronze	Tin-plated	10,000 pcs/reel

\*\* Stamping before plating

**DESCRIPTION :**  
**2.50mm Pitch,**  
**Crimp Terminal, Female Type**

**PART NO. :**  
**2504JTF-XX**

**GENERAL TOLERANCE**

X.X ± 0.25  
 X.XX ± 0.15  
 X.XXX ± 0.05

SCALE : Free

