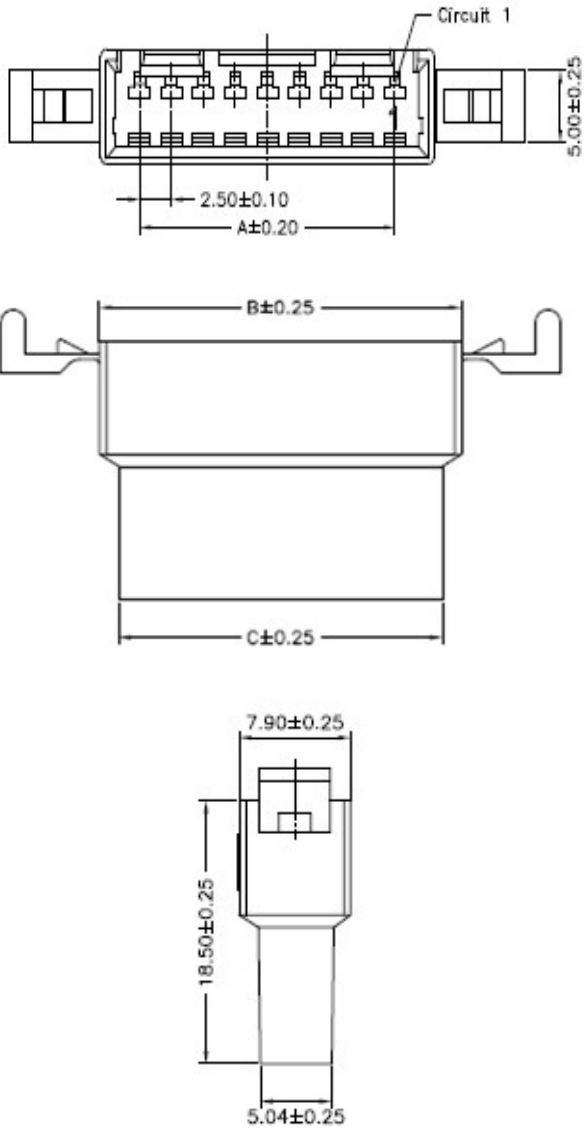


RoHS

Reach



Ordering Information & Dimension

Circuits No.	Dimensions		
	A	B	C
02	2.50	8.60	5.80
03	5.00	11.10	8.30
04	7.50	13.60	10.80
05	10.00	16.10	13.30
06	12.50	18.60	15.80
07	15.00	21.10	18.30
08	17.50	23.60	20.80
09	20.00	26.10	23.30
10	22.50	28.60	25.80
11	25.00	31.10	28.30
12	27.50	33.60	30.80
13	30.00	36.10	33.30
14	32.50	38.60	35.80
15	35.00	41.10	38.30
16	37.50	43.60	40.80

Explanation of PN.

2504J HM 1 XX - 3 WH

- ① Series No.
 ② Connector Type : Male Housing
 ③ Option Type : With Mounting Ear
 ④ Circuits No.
 ⑤ Insulator Material : Nylon66, UL 94-V0
 ⑥ Color : White

Specification :

- Current Rating : 3A AC,DC
 Voltage Rating : 250V AC,DC
 Temperature Range : -25°C ~ +85°C
 Contact Resistance : 20mΩ Max.
 Insulation Resistance : 1000mΩ Min.
 Withstanding Voltage : 1000V AC/minute
 Insulator Material : Nylon66, UL 94-V0

DESCRIPTION :
 2.50mm Pitch, Housing,
 Single row, Male Type,
 With Mounting Ear

PART NO. :
 2504JHM1XX-3WH

GENERAL TOLERANCE

X.X ± 0.25
 X.XX ± 0.15
 X.XXX ± 0.05

SCALE : Free

