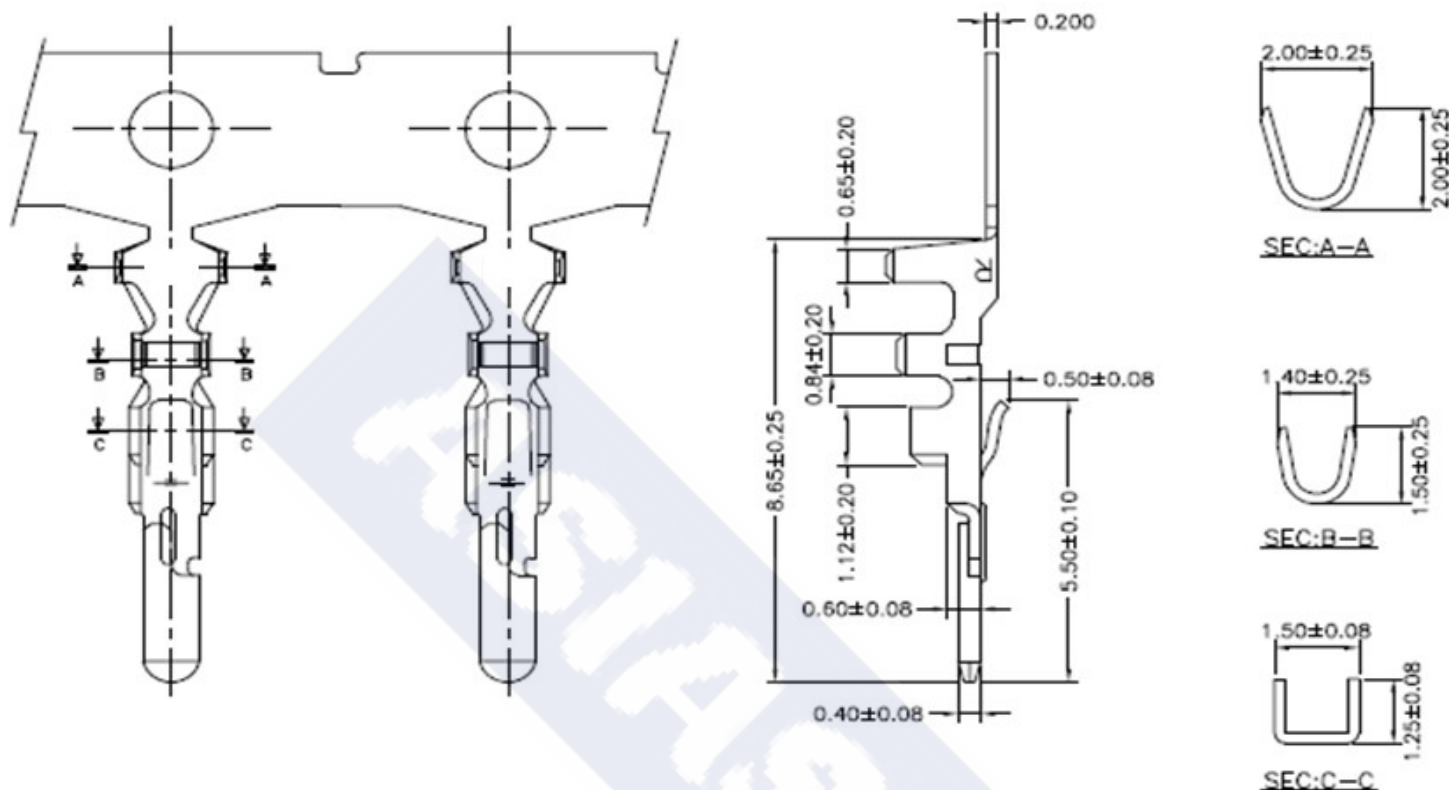


RoHS


Reach



Ordering Information & Specification

Part NO.	Wire Range	Insulation O.D.	Material	Finish	SPQ
2003JTM-TB	AWG#24~AWG#28	1.15mm(max)	Brass	Tin-plated	10,000 pcs/reel

** Stamping before plating

	DESCRIPTION : 2.00mm Pitch, Crimp Terminal, Male Type	GENERAL TOLERANCE	
	PART NO. : 2003JTM-TB	X.X ± 0.25 X.XX ± 0.15 X.XXX ± 0.05	SCALE : Free 