

RoHS

Reach

Explanation of PN.

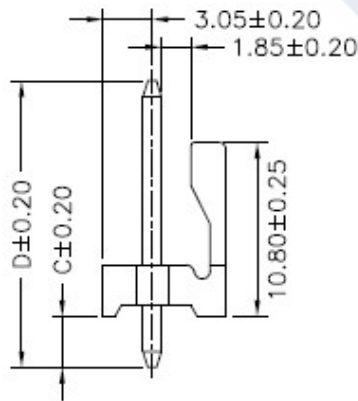
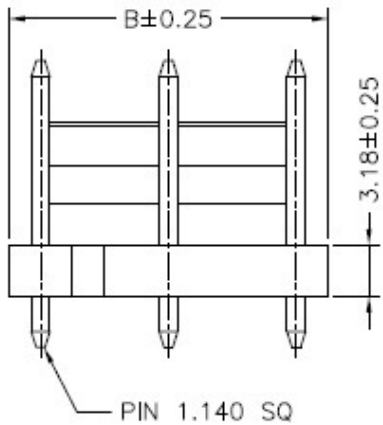
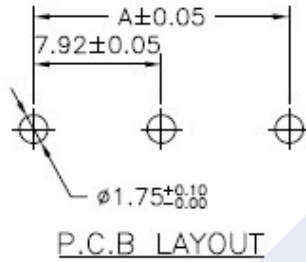
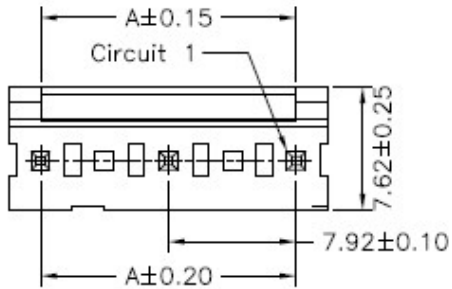
7923J V X XX - 3 WH 0

① ② ③ ④ ⑤ ⑥ ⑦

- ① Series No.
- ② Connector Type : Straight Angle
- ③ Pin Length : 1 : C : 3.18mm ; D : 17.80mm
2 : C : 4.45mm ; D : 19.05mm
- ④ Circuits No.
- ⑤ Insulator Material : 3 : Nylon66, UL 94-V0
- ⑥ Color : WH : White -- Nylon66, UL 94-V0
- ⑦ Contact Plating : Tin-plated,

Ordering Information & Dimension

Circuit No.	Dimensions	
	A	B
02	7.92	11.88
03	15.84	19.80
04	23.76	27.72
05	31.68	35.64
06	39.60	43.56
07	47.52	51.48
08	55.44	59.40
09	63.36	67.32
10	71.28	75.24



Specification :

- Current Rating : 7A AC,DC
- Voltage Rating : 600V AC,DC
- Temperature Range : -25°C ~ +85°C
- Contact Resistance : 3mΩ Max.
- Insulation Resistance : 5000mΩ Min.
- Withstanding Voltage : 2200V AC/minute
- Pin Material : Brass
- Insulator Material : Nylon66, UL 94-V0

	DESCRIPTION : 7.92mm Pitch, Receptacle, Single Row, DIP, Straight Angle	GENERAL TOLERANCE	
	PART NO. : 7923JVXXX-3WH0	X.X ± 0.25 X.XX ± 0.15 X.XXX ± 0.05	SCALE : Free