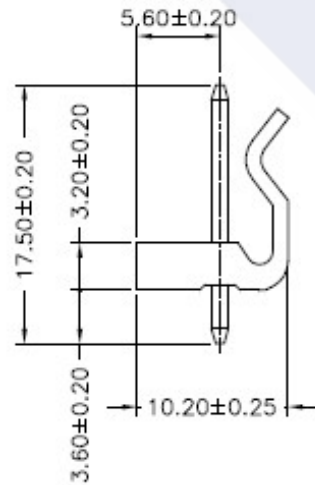
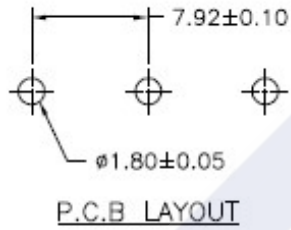
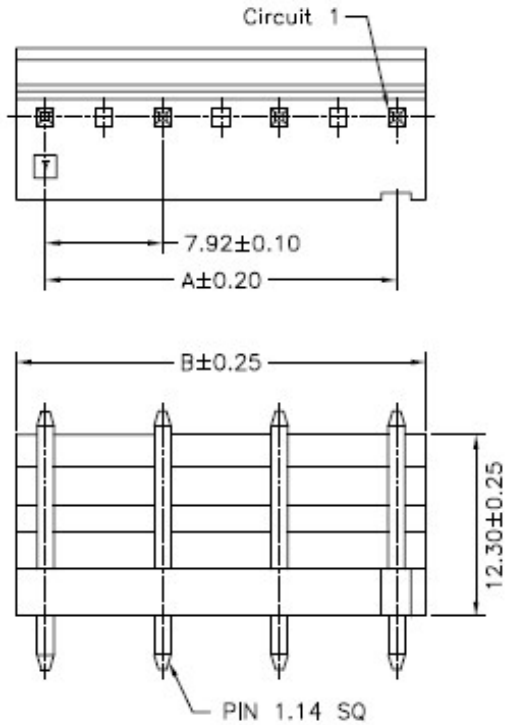


RoHS

Reach



Ordering Information & Dimension

Circuit No.	Dimensions	
	A	B
02	7.92	11.88
03	15.84	19.80
04	23.76	27.72
05	31.68	35.64
06	39.60	43.56
07	47.52	51.48
08	55.44	59.40
09	63.36	67.32
10	71.28	75.24

Explanation of PN.

7920J V XX - X XX 0

① ② ③ ④ ⑤ ⑥

- ① Series No.
- ② Connector Type : Straight Angle
- ③ Circuits No.
- ④ Insulator Material : 2 : Nylon66, UL 94-V2
3 : Nylon66, UL 94-V0
- ⑤ Color : NL : Natural (Translucent) -- Nylon66, UL 94-V2
WH : White -- Nylon66, UL 94-V0
- ⑥ Contact Plating : Tin-plated,

Specification :

- Current Rating : 7A AC,DC
- Voltage Rating : 250V AC,DC
- Temperature Range : -25°C ~ +85°C
- Contact Resistance : 10mΩ Max.
- Insulation Resistance : 1000mΩ Min.
- Withstanding Voltage : 1500V AC/minute
- Pin Material : Brass
- Insulator Material : Nylon66, UL 94-V2 or Nylon66, UL 94-V0

	DESCRIPTION : 7.92mm Pitch, Receptacle, Single Row, DIP, Straight Angle	GENERAL TOLERANCE	
	PART NO. : 7920JVXX-XXX0	X.X ± 0.25 X.XX ± 0.15 X.XXX ± 0.05	SCALE : Free