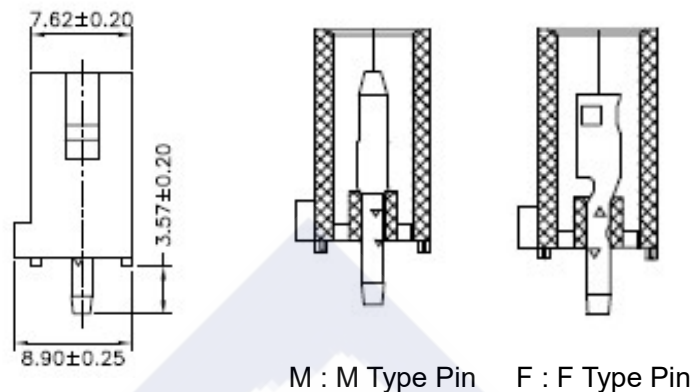
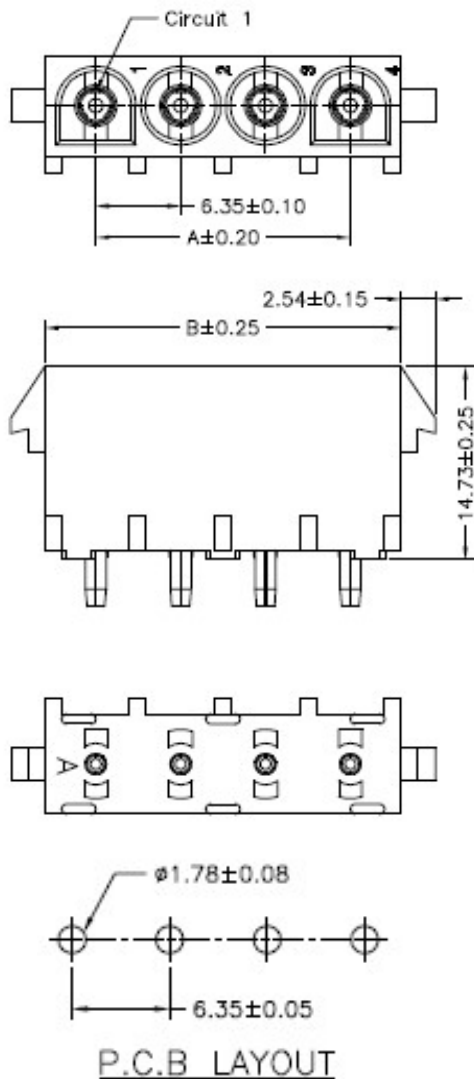


RoHS

Reach



Ordering Information & Dimension

Circuit NO.	Dimensions	
	A	B
02	6.35	13.97
03	12.70	20.32
04	19.05	26.67
05	25.40	33.02
06	31.75	39.37
08	44.45	52.07

Explanation of PN.

6350J V X XX - X XX 0

① ② ③ ④ ⑤ ⑥ ⑦

- ① Series No.
- ② Connector Type : Straight Angle
- ③ Option Type : M : M Type Pin ; F : F Type Pin
- ④ Circuits No.
- ⑤ Insulator Material : 2: Nylon66, UL 94-V2
3: Nylon66, UL 94-V0
- ⑥ Color : NL: Natural(Translucent)(Nylon66, UL 94-V2)
WH: Natural(White)(Nylon66, UL 94-V0)
- ⑦ Contact Plating : Tin-plated

Specification :

- Current Rating : 15A AC,DC
- Voltage Rating : 600V AC,DC
- Temperature Range : -25°C ~ +85°C
- Contact Resistance : 3.5mΩ Max.
- Insulation Resistance : 1000mΩ Min.
- Withstanding Voltage : 5000V AC/minute
- Pin Material : Brass
- Insulator Material : Nylon66, UL 94-V2 or Nylon66, UL 94-V0

	DESCRIPTION : 6.35mm Pitch, Receptacle, Single Row, DIP, Straight Angle	GENERAL TOLERANCE	
	PART NO. : 6350JVXXX-XXX0	X.X ± 0.25 X.XX ± 0.15 X.XXX ± 0.05	SCALE : Free