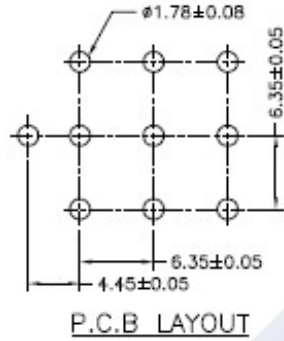
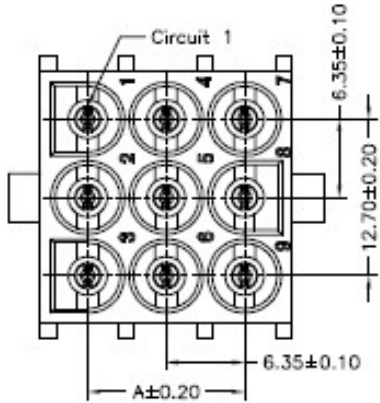


RoHS

Reach



Ordering Information & Dimension

Circuit NO.	Dimensions	
	A	B
06	6.35	13.97
09	12.70	20.32
12	19.05	26.67
15	25.40	33.02

Explanation of PN.

**6350J V X F T XX - X XX 0**

① ② ③ ④ ⑤ ⑥ ⑦ ⑧ ⑨

- ① Series No.
- ② Connector Type : Straight Angle
- ③ Option Type : M : M Type Pin ; F : F Type Pin
- ④ Polarizing Peg
- ⑤ Row Type : Triple Row
- ⑥ Circuits No.
- ⑦ Insulator Material : 2: Nylon66, UL 94-V2  
3: Nylon66, UL 94-V0
- ⑧ Color : NL: Natural(Translucent)(Nylon66, UL 94-V2)  
WH: Natural(White)(Nylon66, UL 94-V0)
- ⑨ Contact Plating : Tin-plated

Specification :

Current Rating : 15A AC,DC

Voltage Rating : 600V AC,DC

Temperature Range : -25°C ~ +85°C

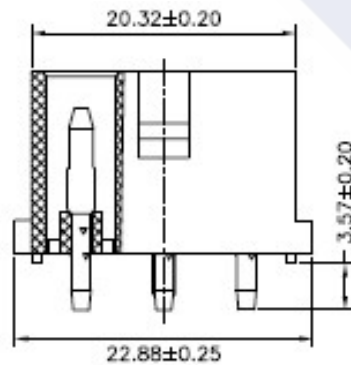
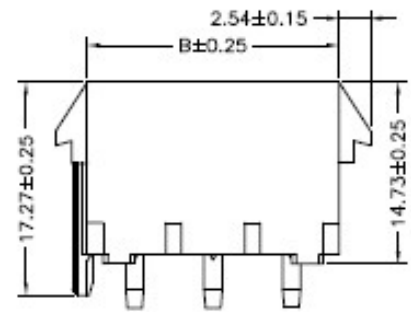
Contact Resistance : 3.5mΩ Max.

Insulation Resistance : 1000mΩ Min.

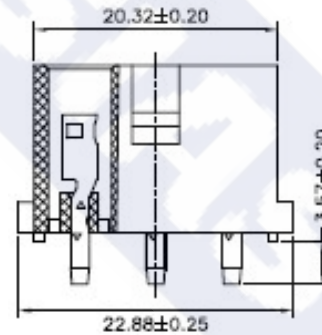
Withstanding Voltage : 5000V AC/minute

Pin Material : Brass

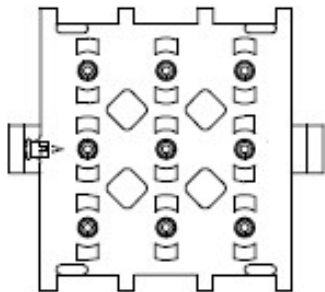
Insulator Material : Nylon66, UL 94-V2 or Nylon66, UL 94-V0




M : M Type Pin



F : F Type Pin



	<b>DESCRIPTION :</b> 6.35mm Pitch, Receptacle, Single Row, DIP, Straight Angle, With Polarizing Peg	<b>GENERAL TOLERANCE</b>	
	<b>PART NO. :</b> 6350JVXF TXX-XXX0	X.X ± 0.25 X.XX ± 0.15 X.XXX ± 0.05	SCALE : Free  