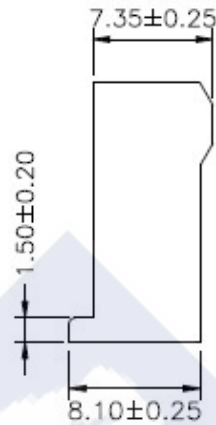
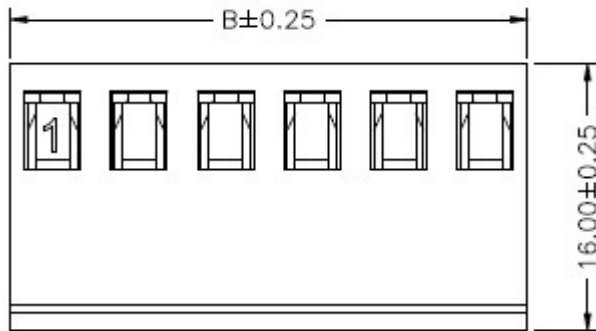
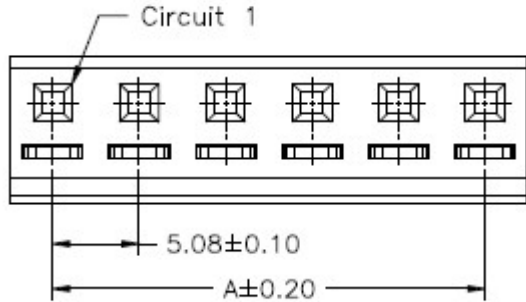


RoHS

Reach



Ordering Information & Dimension

Circuit No.	Dimensions	
	A	B
02	5.08	10.08
03	10.16	15.16
04	15.24	20.24
05	20.32	25.32
06	25.40	30.40
07	30.48	35.48
08	35.56	40.56
09	40.64	45.64

Explanation of PN.


5082J H XX - X NL

① ② ③ ④ ⑤

- ① Series No.
- ② Connector Type : Housing
- ③ Circuits No.
- ④ Insulator Material : 2 : Nylon66, UL 94-V2
7 : Nylon66, UL 94-V2(No Flame)
- ⑤ Color : NL : Natural (Translucent) -- Nylon66, UL 94-V2
NL : Natural (Beige) -- Nylon66, UL 94-V2(No Flame)

Specification :

- Current Rating : 7A AC,DC
- Voltage Rating : 250V AC,DC
- Temperature Range : -25°C ~ +85°C
- Contact Resistance : 10mΩ Max.
- Insulation Resistance : 1000mΩ Min.
- Withstanding Voltage : 1500V AC/minute
- Insulator Material : Nylon66, UL 94-V2 or Nylon66, UL 94-V2(No Flame)

	DESCRIPTION : 5.08mm Pitch, Housing, Single Row	GENERAL TOLERANCE	
	PART NO. : 5082JHXX-XNL	X.X ± 0.25 X.XX ± 0.15 X.XXX ± 0.05	SCALE : Free 