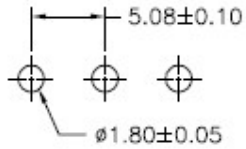
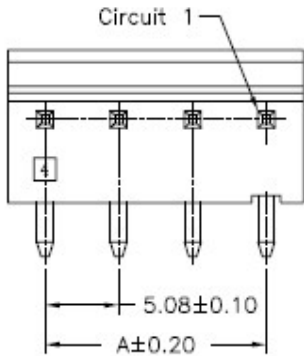
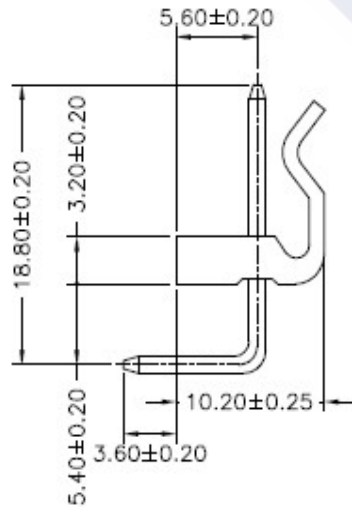
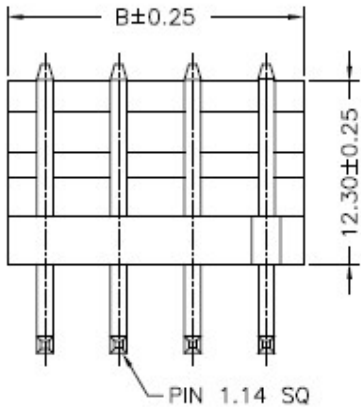


RoHS

Reach



P.C.B LAYOUT



Ordering Information & Dimension

Circuit No.	Dimensions		Circuit No.	Dimensions	
	A	B		A	B
02	5.08	10.16	12	55.88	60.96
03	10.16	15.24	13	60.96	66.04
04	15.24	20.32	14	66.04	71.12
05	20.32	25.40	15	71.12	76.20
06	25.40	30.48	16	76.20	81.28
07	30.48	35.56	17	81.28	86.36
08	35.56	40.64	18	86.36	91.44
09	40.64	45.72	19	91.44	96.52
10	45.72	50.80	20	96.52	101.60
11	50.80	55.88			

Explanation of PN.

5081J R XX - X XX 0

① ② ③ ④ ⑤ ⑥

- ① Series No.
- ② Connector Type : Right Angle
- ③ Circuits No.
- ⑤ Insulator Material : 2 : Nylon66, UL 94-V2
3 : Nylon66, UL 94-V0
7 : Nylon66, UL 94-V2(No Flame)
- ⑥ Color : NL : Natural (Translucent) -- Nylon66, UL 94-V2
WH : White -- Nylon66, UL 94-V0
NL : Natural (Beige) -- Nylon66, UL 94-V2(No Flame)
- ⑥ Contact Plating : Tin-plated,

Specification :

Current Rating : 7A AC,DC

Voltage Rating : 250V AC,DC

Temperature Range : -25°C ~ +85°C

Contact Resistance : 10mΩ Max.

Insulation Resistance : 1000mΩ Min.

Withstanding Voltage : 1500V AC/minute

Pin Material : Brass

Insulator Material : Nylon66, UL 94-V2 or
Nylon66, UL 94-V0 or
Nylon66, UL 94-V2(No Flame)

DESCRIPTION :
5.08mm Pitch,
Receptacle, Single Row, DIP,
Right Angle

PART NO. :
5081JRXX-XXX0

GENERAL TOLERANCE

X.X ± 0.25
X.XX ± 0.15
X.XXX ± 0.05

SCALE : Free

