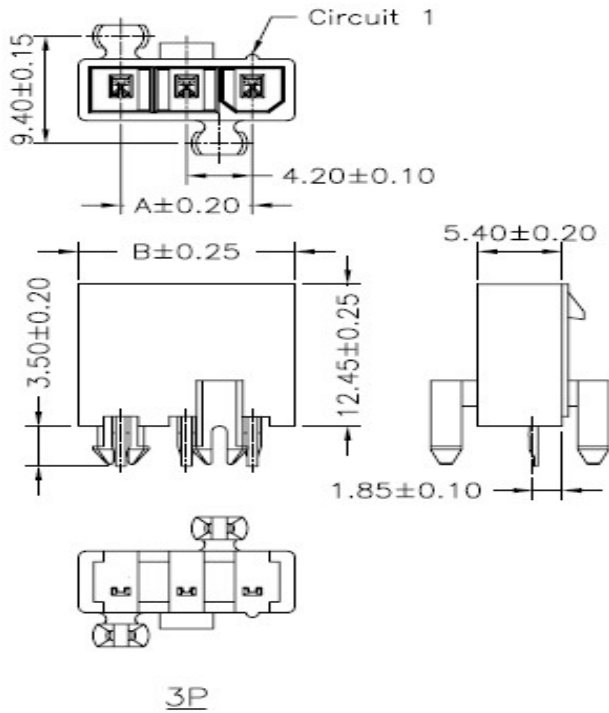


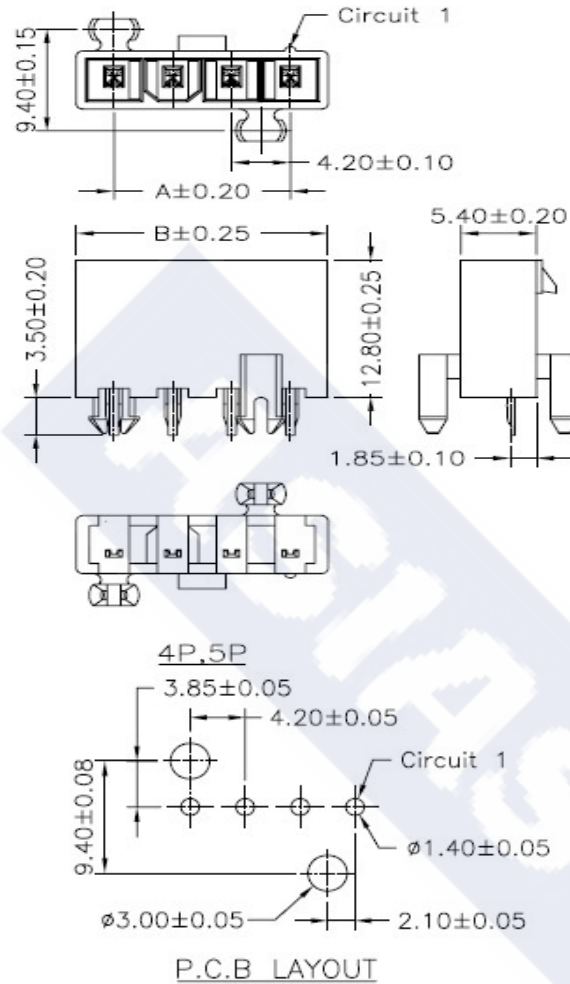
RoHS

Reach



Ordering Information & Dimension

| Circuit No. | Dimensions | |
|-------------|------------|-------|
| | A | B |
| 03P | 8.40 | 13.80 |
| 04P | 12.60 | 18.00 |
| 05P | 16.80 | 22.20 |



Explanation of PN.



4255J VA F XX - X NL 0

① ② ③ ④ ⑤ ⑥ ⑦

- ① Series No.
- ② Connector Type : Straight Angle A Type
- ③ Option Type : With Foot
- ④ Circuits No.
- ⑤ Insulator Material : 2 : Nylon66, UL 94-V2
7 : Nylon66, UL 94-V2(No Flame)
- ⑥ Color : NL : Natural (Translucent) -- Nylon66, UL 94-V2
NL : Natural (Beige) -- Nylon66, UL 94-V2(No Flame)
- ⑦ Contact Plating : Tin-plated

Specification :

- Current Rating : 9A AC,DC
- Voltage Rating : 600V AC,DC
- Temperature Range : -25°C ~ +85°C
- Contact Resistance : 10mΩ Max.
- Insulation Resistance : 1000mΩ Min.
- Withstanding Voltage : 1500V AC/minute
- Pin Material : Brass
- Insulator Material : Nylon66, UL 94-V2 or Nylon66, UL 94-V2(No Flame)

| | | | |
|--|--|---|---|
|  | DESCRIPTION : 4.20mm Pitch, Receptacle, Single Row, DIP, Straight Angle, A Type, With Foot | GENERAL TOLERANCE | |
| | PART NO. : 4255JVAFXX-XNL0 | X.X ± 0.25 X.XX ± 0.15 X.XXX ± 0.05 | SCALE : Free  |