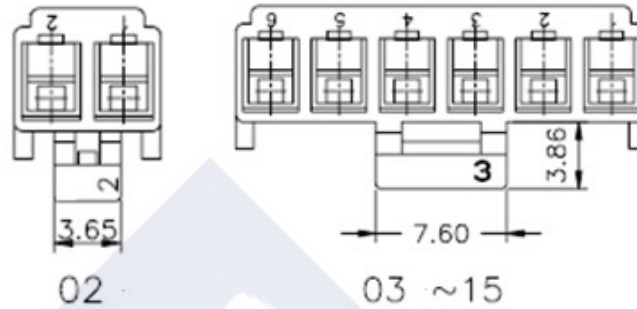
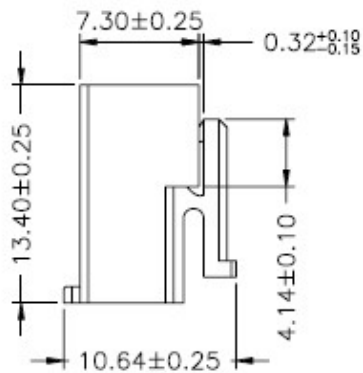
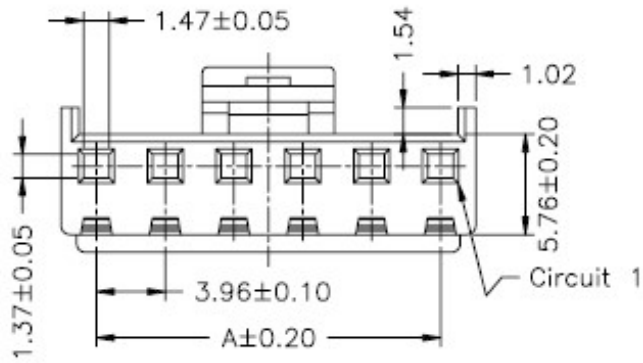


RoHS

Reach



Ordering Information & Dimension

Circuit No.	Dimensions		Circuit No.	Dimensions	
	A	B		A	B
02	3.96	8.02	09	31.68	35.74
03	7.92	11.98	10	35.64	39.70
04	11.88	15.94	11	39.60	43.66
05	15.84	19.90	12	43.56	47.62
06	19.80	23.86	13	47.52	51.58
07	23.76	27.82	14	51.48	55.54
08	27.72	31.78	15	55.44	59.50

Explanation of PN.

3961J H XX - X XX

① ② ③ ④ ⑤

- ① Series No.
- ② Connector Type : Housing
- ③ Circuits No.
- ④ Insulator Material : 3 : Nylon66, UL 94-V0  
7 : Nylon66, UL 94-V2(No Flame)
- ⑤ Color : WH : White -- Nylon66, UL 94-V0  
NL : Natural (Beige) -- Nylon66, UL 94-V2(No Flame)

Specification :

- Current Rating : 7A AC,DC
- Voltage Rating : 250V AC,DC
- Temperature Range : -25°C ~ +85°C
- Contact Resistance : 10mΩ Max.
- Insulation Resistance : 1000mΩ Min.
- Withstanding Voltage : 1500V AC/minute
- Insulator Material : Nylon66, UL 94-V0 or Nylon66, UL 94-V2(No Flame)

	<b>DESCRIPTION :</b> <b>3.96mm Pitch,</b> <b>Housing, Single Row</b>	<b>GENERAL TOLERANCE</b>	
	<b>PART NO. :</b> <b>3961JHXX-XXX</b>	X.X ± 0.25 X.XX ± 0.15 X.XXX ± 0.05	SCALE : Free 