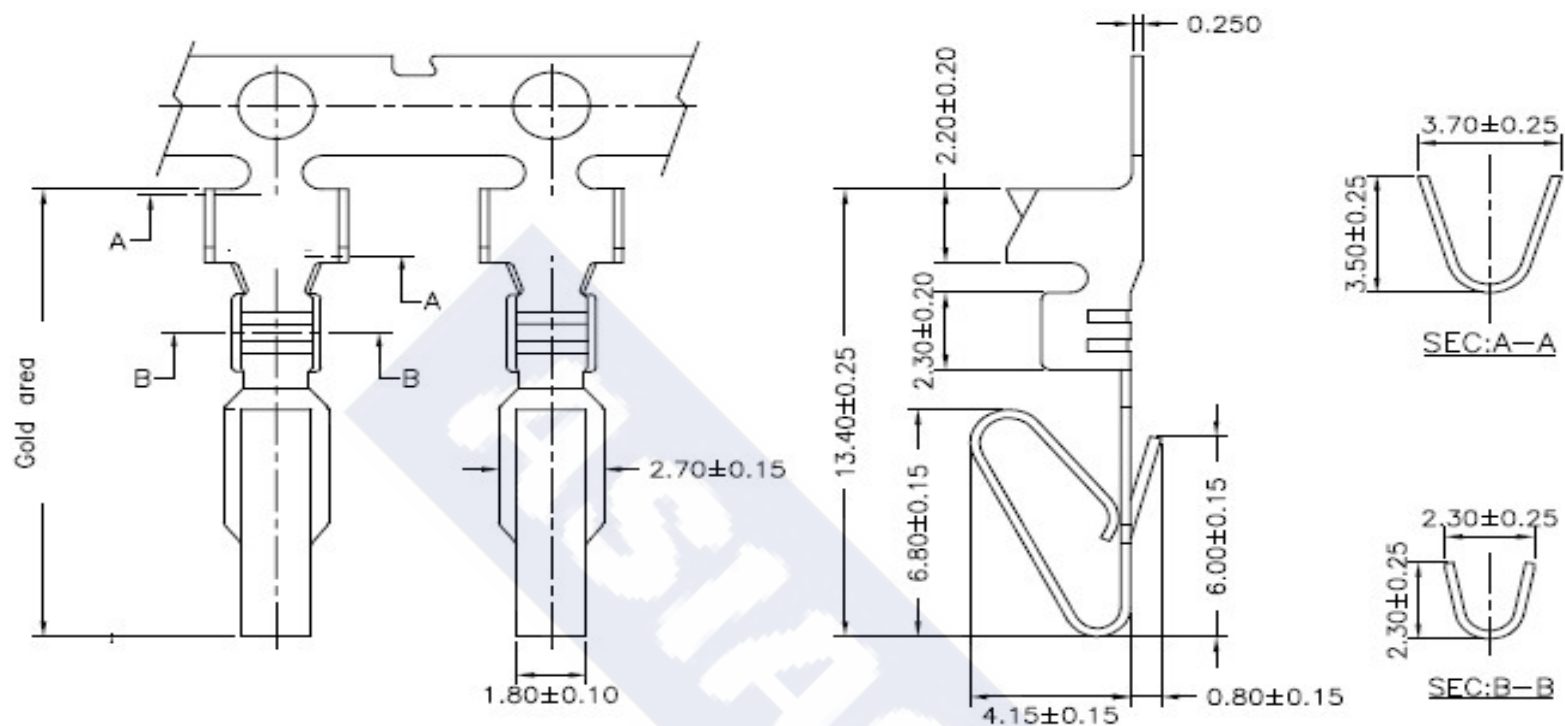


RoHS

Reach



Ordering Information & Specification

Part NO.	Wire Range	Insulation O.D.	Material	Finish	SPQ
3960JT-TB	AWG#18~AWG#24	2.80mm(max)	Brass	Tin-plated	6,000 pcs/reel
3960JT-GB	AWG#18~AWG#24	2.80mm(max)	Brass	Gold-flash	6,000 pcs/reel

** Stamping before plating

DESCRIPTION :
**3.96mm Pitch,
 Crimp Terminal**

PART NO. :
3960JT-XB

GENERAL TOLERANCE

X.X ± 0.25
 X.XX ± 0.15
 X.XXX ± 0.05

SCALE : Free

