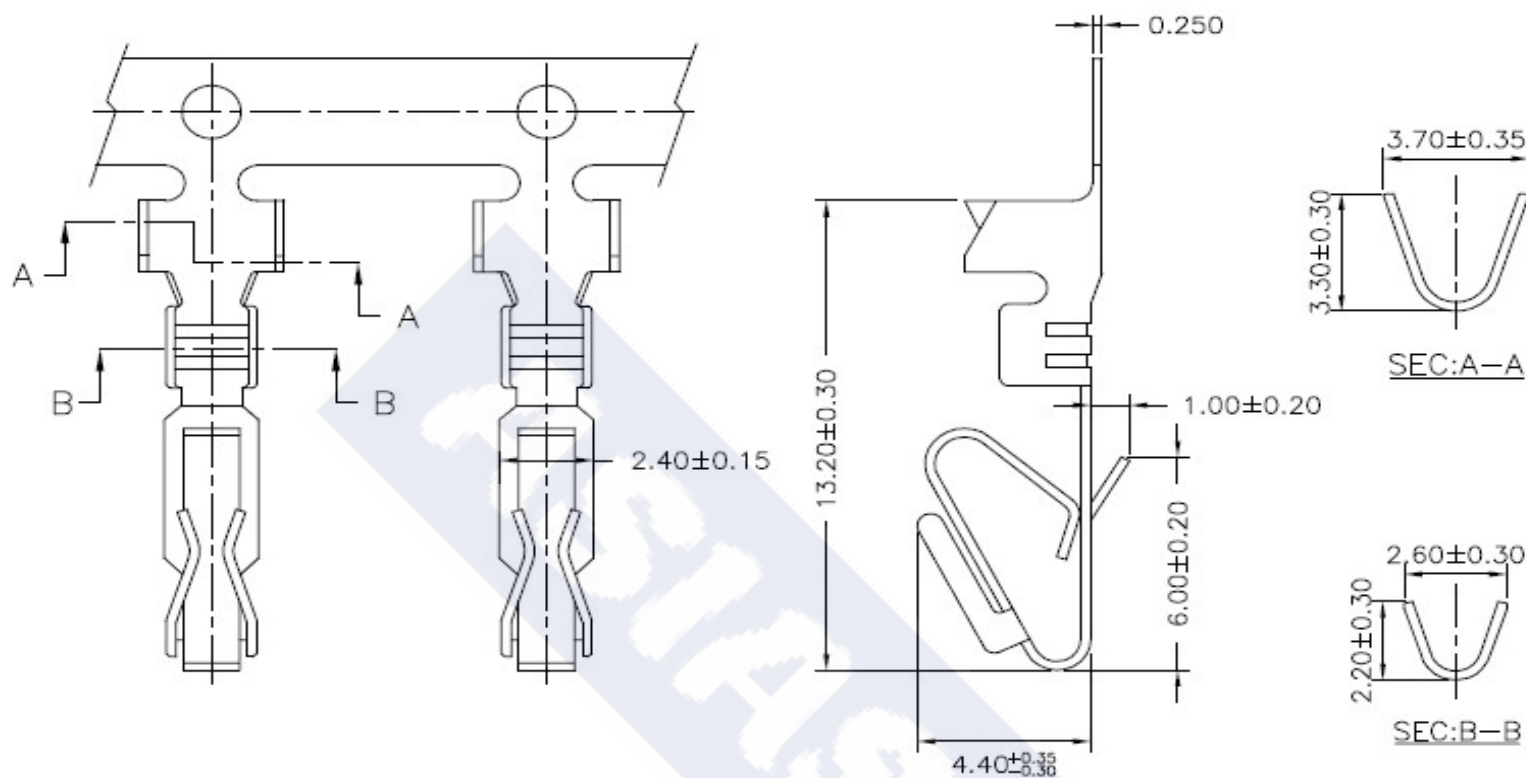


RoHS

Reach



## Ordering Information &amp; Specification

Part NO.	Wire Range	Insulation O.D.	Material	Finish	SPQ
3960JT-TB-A	AWG#18~AWG#24	2.80mm(max)	Brass	Tin-plated	6,000 pcs/reel

\*\* Stamping before plating

**DESCRIPTION :**  
**3.96mm Pitch,**  
**Crimp Terminal, A Type**

**PART NO. :**  
**3960JT-TB-A**

**GENERAL TOLERANCE**

X.X ± 0.25  
 X.XX ± 0.15  
 X.XXX ± 0.05

SCALE : Free

