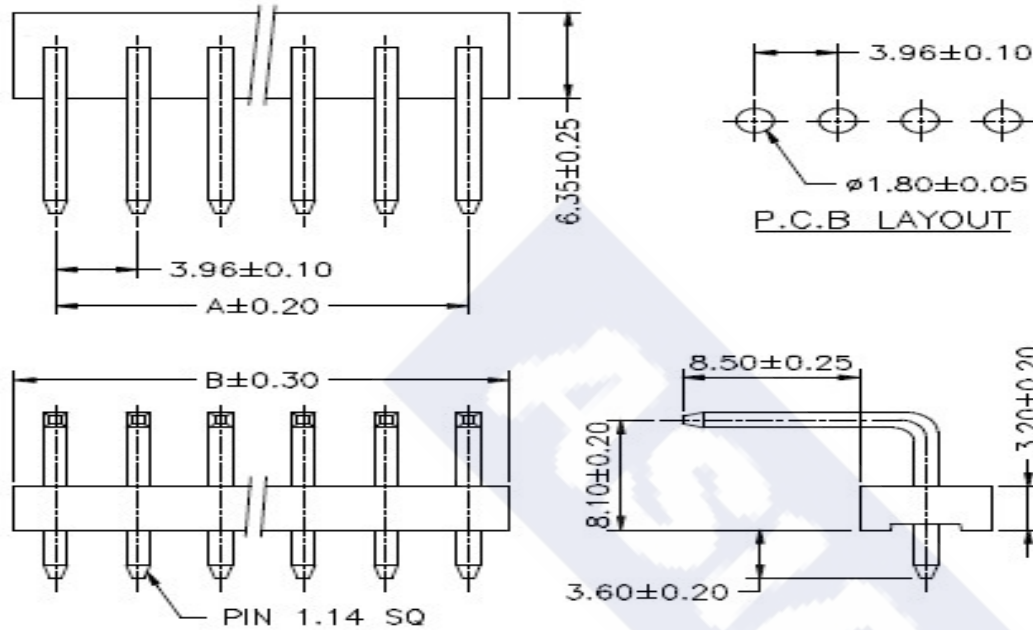


RoHS

Reach



Explanation of PN.

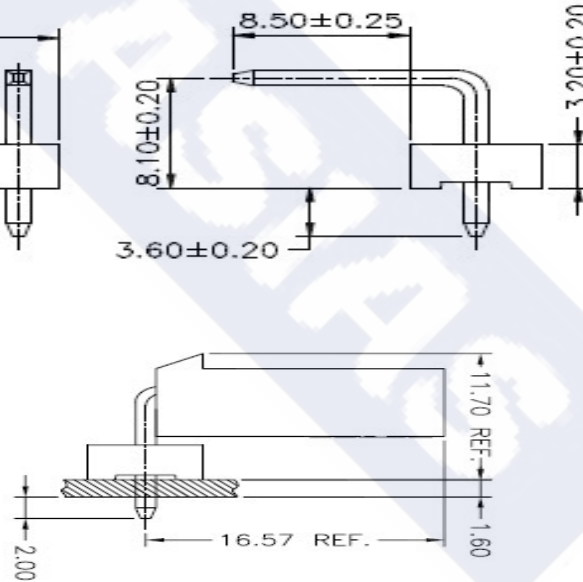
**3960J R A XX - 2 NL 0**

① ② ③ ④ ⑤ ⑥ ⑦

- ① Series No.
- ② Connector Type : Straight Angle
- ③ Option Type : A Type
- ④ Circuits No.
- ⑤ Insulator Material : 2 : Nylon66, UL 94-V2
- ⑥ Color : NL : Natural (Translucent)
- ⑦ Contact Plating : Tin-plated,

Specification :

- Current Rating : 7A AC,DC
- Voltage Rating : 250V AC,DC
- Temperature Range : -25°C ~ +85°C
- Contact Resistance : 10mΩ Max.
- Insulation Resistance : 1000mΩ Min.
- Withstanding Voltage : 1500V AC/minute
- Pin Material : Brass
- Insulator Material : Nylon66, UL 94-V2



Ordering Information & Dimension

Circuit No.	Dimensions		Circuit No.	Dimensions	
	A	B		A	B
02	3.96	7.92	12	43.56	47.52
03	7.92	11.88	13	47.52	51.48
04	11.88	15.84	14	51.48	55.44
05	15.84	19.80	15	55.44	59.40
06	19.80	23.76	16	59.40	63.36
07	23.76	27.72	17	63.36	67.32
08	27.72	31.68	18	67.32	71.28
09	31.68	35.64	19	71.28	75.24
10	35.64	39.60	20	75.24	79.20
11	39.60	43.56			

	<b>DESCRIPTION :</b> 3.96mm Pitch, Receptacle, Single Row, DIP, Right Angle, A Type	<b>GENERAL TOLERANCE</b>	
	<b>PART NO. :</b> 3960JRAXX-2NL0	X.X ± 0.25 X.XX ± 0.15 X.XXX ± 0.05	SCALE : Free 