

RoHS

Reach

Explanation of PN.

3030J V F XX - X BK 0

① ② ③ ④ ⑤ ⑥ ⑦

- ① Series No.
- ② Connector Type : Straight Angle
- ③ Option Type : With Foot
- ④ Circuits No.
- ⑤ Insulator Material : 0 : PBT+GF, UL 94-V0
6 : LCP, UL 94-V0
- ⑥ Color : BK : Black
- ⑦ Contact Plating : Tin-plated

Ordering Information & Dimension

PART NO.	Dimensions		PART NO.	Dimensions	
	A	B		A	B
02	3.00	9.65	08	21.00	27.65
03	6.00	12.65	09	24.00	30.65
04	9.00	15.65	10	27.00	33.65
05	12.00	18.65	11	30.00	36.65
06	15.00	21.65	12	33.00	39.65
07	18.00	24.65			

Specification :

Current Rating : 5A AC,DC

Voltage Rating : 250V AC,DC

Temperature Range : -25°C ~ +85°C

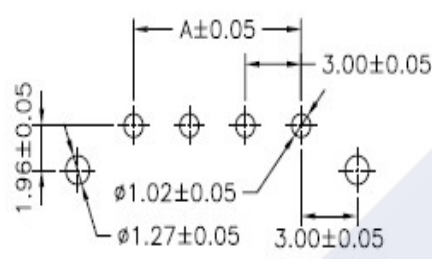
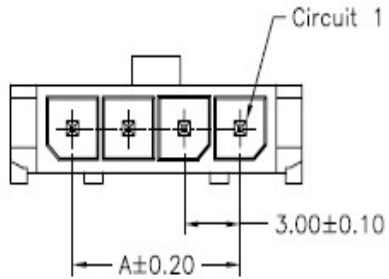
Contact Resistance : 10mΩ Max.

Insulation Resistance : 1000mΩ Min.

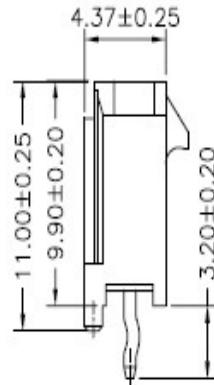
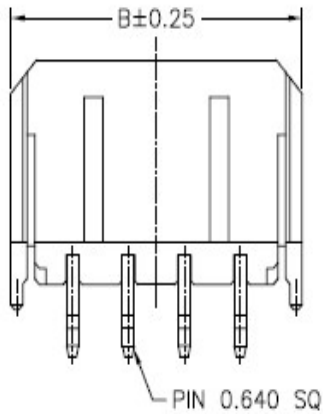
Withstanding Voltage : 1500V AC/minute

Pin Material : Brass

Insulator Material : PBT+GF, UL 94-V0 or LCP, UL 94-V0



P.C.B LAYOUT



	DESCRIPTION : 3.00mm Pitch, Receptacle, Single Row, DIP, Straight Angle, With Foot	GENERAL TOLERANCE	
	PART NO. : 3030JVFXX-XBK0	X.X ± 0.25 X.XX ± 0.15 X.XXX ± 0.05	SCALE : Free