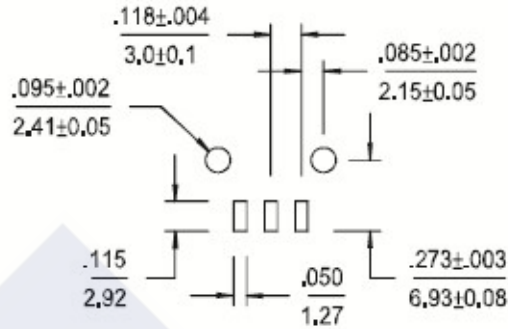
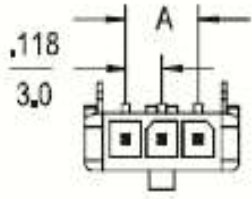


RoHS

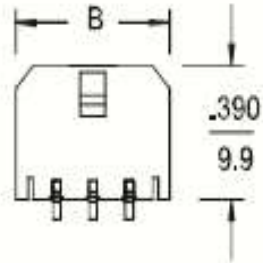
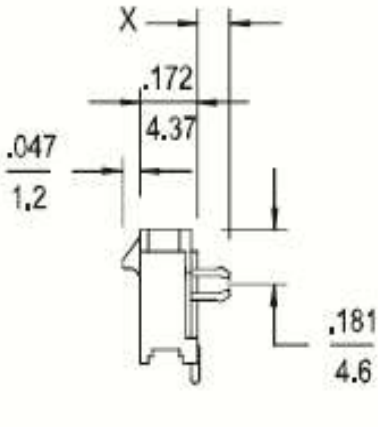
Reach



PCB Layout

Ordering Information & Dimension

PART NO.	Dimensions		PART NO.	Dimensions	
	A	B		A	B
02	3.00	9.65	08	21.00	27.65
03	6.00	12.65	09	24.00	30.65
04	9.00	15.65	10	27.00	33.65
05	12.00	18.65	11	30.00	36.65
06	15.00	21.65	12	33.00	39.65
07	18.00	24.65			



Explanation of PN.

3030J R X S XX - 6 BK 0

① ② ③ ④ ⑤ ⑥ ⑦ ⑧

- ① Series No.
- ② Connector Type : Right Angle
- ③ Foot Length : F1 : X=2.00mm
F2 : X=3.20mm
- ④ Mounting Type : SMD Type
- ⑤ Circuits No.
- ⑥ Insulator Material : 6 : LCP, UL 94-V0
- ⑦ Color : BK : Black
- ⑧ Contact Plating : Tin-plated

Specification :

- Current Rating : 5A AC,DC
- Voltage Rating : 250V AC,DC
- Temperature Range : -25°C ~ +85°C
- Contact Resistance : 10mΩ Max.
- Insulation Resistance : 1000mΩ Min.
- Withstanding Voltage : 1500V AC/minute
- Pin Material : Brass
- Insulator Material : LCP, UL 94-V0

	DESCRIPTION : 3.00mm Pitch, Receptacle, Single Row, SMD, Right Angle, With Foot	GENERAL TOLERANCE	
	PART NO. : 3030JRXSXX-6BK0	X.X ± 0.25 X.XX ± 0.15 X.XXX ± 0.05	SCALE : Free