

RoHS

Reach

Explanation of PN.

2542J R B XX - 3 WH 0

① ② ③ ④ ⑤ ⑥ ⑦

- ① Series No.
- ② Connector Type : Right Angle
- ③ Option Type : B Type
- ④ Circuits No.
- ④ Insulator Material : 3 : Nylon66, UL 94-V0
- ⑥ Color : WH : White
- ⑦ Contact Plating : 0 : Tin-plated

Ordering Information & Dimension

Circuit No.	Dimensions	
	A	B
02	2.54	5.08
03	5.08	7.62

Specification :

Current Rating : 4A AC,DC

Voltage Rating : 250V AC,DC

Temperature Range : -25°C ~ +85°C

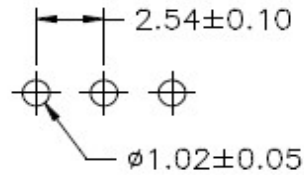
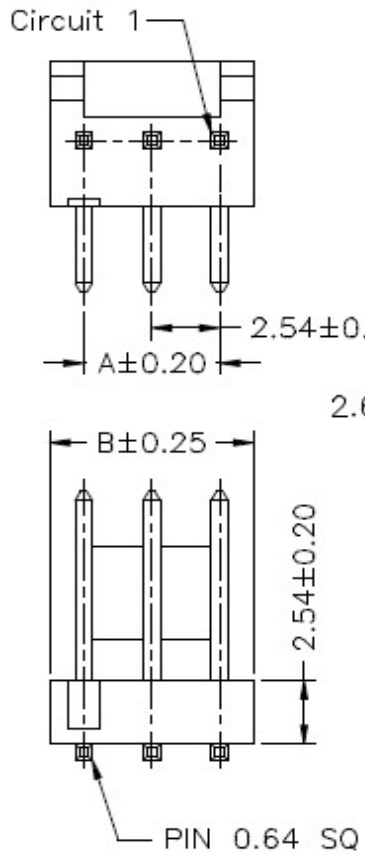
Contact Resistance : 10mΩ Max.

Insulation Resistance : 1000mΩ Min.

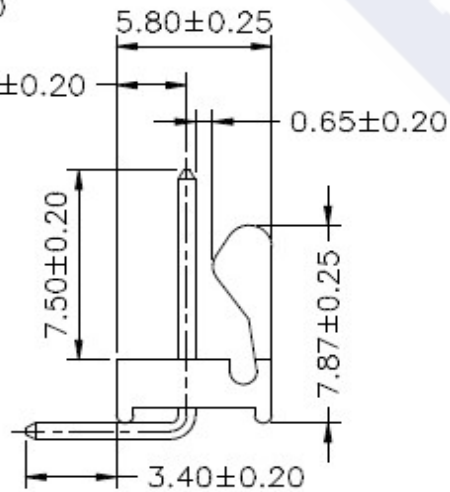
Withstanding Voltage : 1000V AC/minute

Pin Material : Brass

Insulator Material : Nylon66, UL 94-V0



P.C.B LAYOUT



ASIAS TECHNOLOGY CO., LTD.

DESCRIPTION :
2.54mm Pitch,
Receptacle, Single Row, DIP,
Right Angle, B Type

PART NO. :
2542JRBXX-3WH0

GENERAL TOLERANCE

X.X ± 0.25
 X.XX ± 0.15
 X.XXX ± 0.05

SCALE : Free

