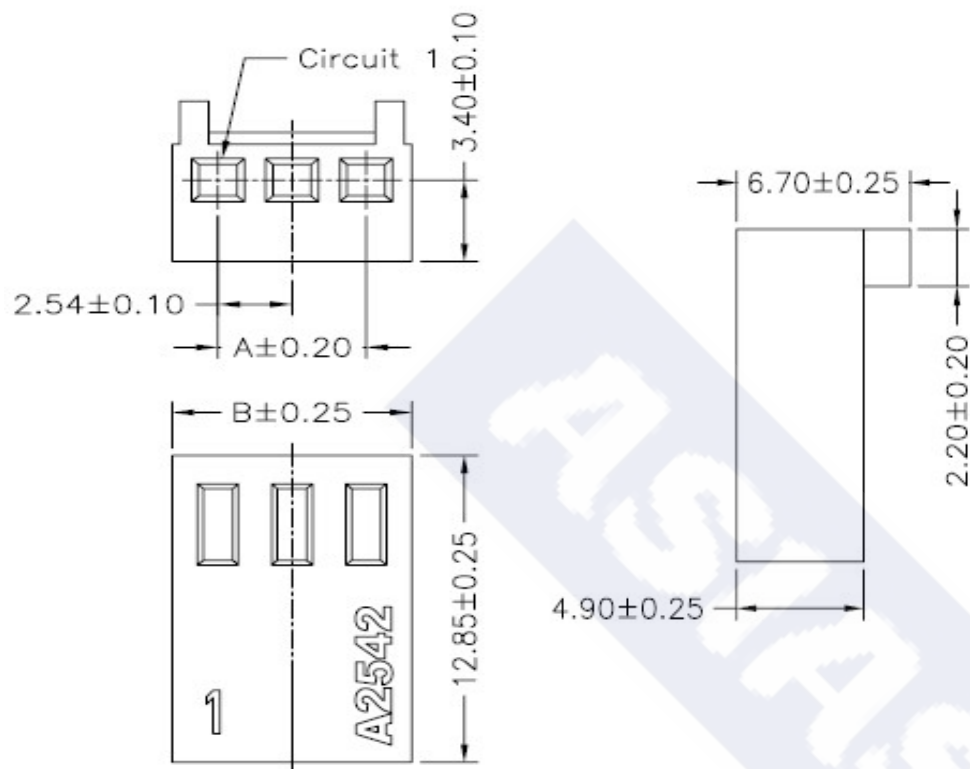


RoHS

Reach



Explanation of PN.

**2542J H A XX - X XX**

① ② ③ ④ ⑤ ⑥

- ① Series No.
- ② Connector Type : Housing
- ③ Option Type : A Type
- ④ Circuits No.
- ⑤ Insulator Material : 2 : Nylon66, UL 94-V2  
3 : Nylon66, UL 94-V0  
7 : Nylon66, UL 94-V2(No Flame)
- ⑥ Color : BR : Brown(1685C) -- Nylon66, UL 94-V2  
WH : White -- Nylon66, UL 94-V0  
NL : Natural (Beige) -- Nylon66, UL 94-V2(No Flame)

Specification :

Current Rating : 4A AC,DC

Voltage Rating : 250V AC,DC

Temperature Range : -25°C ~ +85°C

Contact Resistance : 10mΩ Max.

Insulation Resistance : 1000mΩ Min.

Withstanding Voltage : 1000V AC/minute

Insulator Material : Nylon66, UL 94-V2 or  
Nylon66, UL 94-V0 or  
Nylon66, UL 94-V2(No Flame)

## Ordering Information &amp; Dimension

PART NO.	Dimensions		PART NO.	Dimensions	
	A	B		A	B
02	2.54	5.68	12	27.94	31.08
03	5.08	8.22	13	30.48	33.62
04	7.62	10.76	14	33.02	36.16
05	10.16	13.30	15	35.56	38.70
06	12.70	15.84	16	38.10	41.24
07	15.24	18.38	17	40.64	43.78
08	17.78	20.92	18	43.18	46.32
09	20.32	23.46	19	45.72	48.86
10	22.86	26.00	20	48.26	51.40
11	25.40	28.54			

**ASIAS** ASIAS TECHNOLOGY CO.,LTD.

DESCRIPTION :  
**2.54mm Pitch,  
Housing, Single Row, A Type**

PART NO. :  
**2542JHAXX-XXX**

**GENERAL TOLERANCE**

SCALE : Free

X.X ± 0.25  
X.XX ± 0.15  
X.XXX ± 0.05

