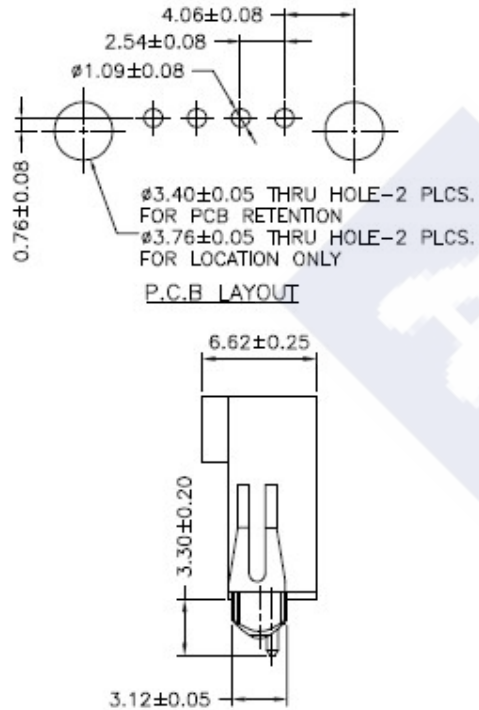
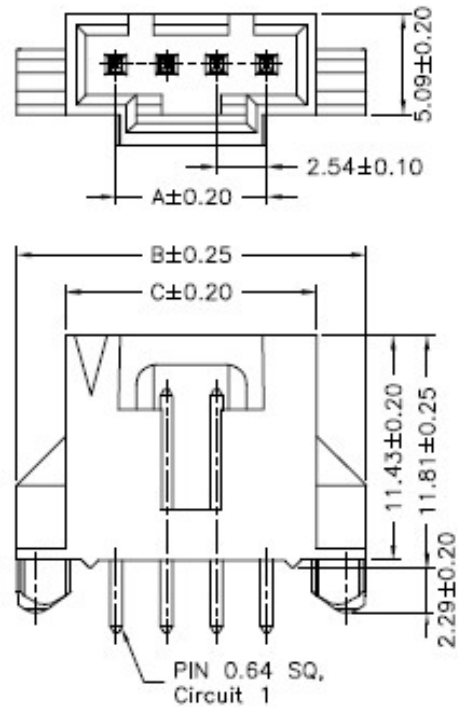


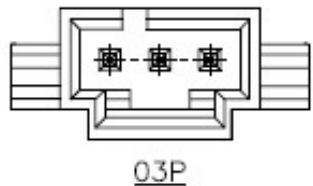
RoHS

Reach

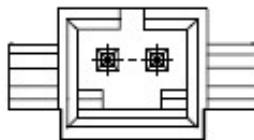


Ordering Information & Dimension

Circuit NO.	Dimensions		
	A	B	C
02	2.54	12.63	7.63
03	5.08	15.17	10.17
04	7.62	17.71	12.71
05	10.16	20.25	15.25
06	12.70	22.79	17.79
07	15.24	25.33	20.33
08	17.78	27.87	22.87
09	20.32	30.41	25.41
10	22.86	32.95	27.95
11	25.40	35.49	30.49
12	27.94	38.03	33.03



03P



02P

Explanation of PN.

2541J V F XX - 0 BK 2

① ② ③ ④ ⑤ ⑥ ⑦

- ① Series No.
- ② Connector Type : Straight Angle
- ③ Option Type : With Foot
- ④ Circuits No.
- ⑤ Insulator Material : 0 : PBT+GF, UL 94-V0
- ⑥ Color : BK : Black
- ⑦ Contact Plating : 2 : Gold-flash

Specification :

Current Rating : 3A AC,DC

Voltage Rating : 250V AC,DC

Temperature Range : -25°C ~ +85°C

Contact Resistance : 20mΩ Max.

Insulation Resistance : 1000mΩ Min.

Withstanding Voltage : 1500V AC/minute

Pin Material : Brass

Insulator Material : PBT+GF, UL 94-V0

ASIAS ASIAS TECHNOLOGY CO.,LTD.

DESCRIPTION :
 2.54mm Pitch,
 Receptacle, Single Row, DIP,
 Straight Angle, With Foot

PART NO. :
 2541JVFX-0BK2

GENERAL TOLERANCE

X.X ± 0.25
 X.XX ± 0.15
 X.XXX ± 0.05

SCALE : Free

