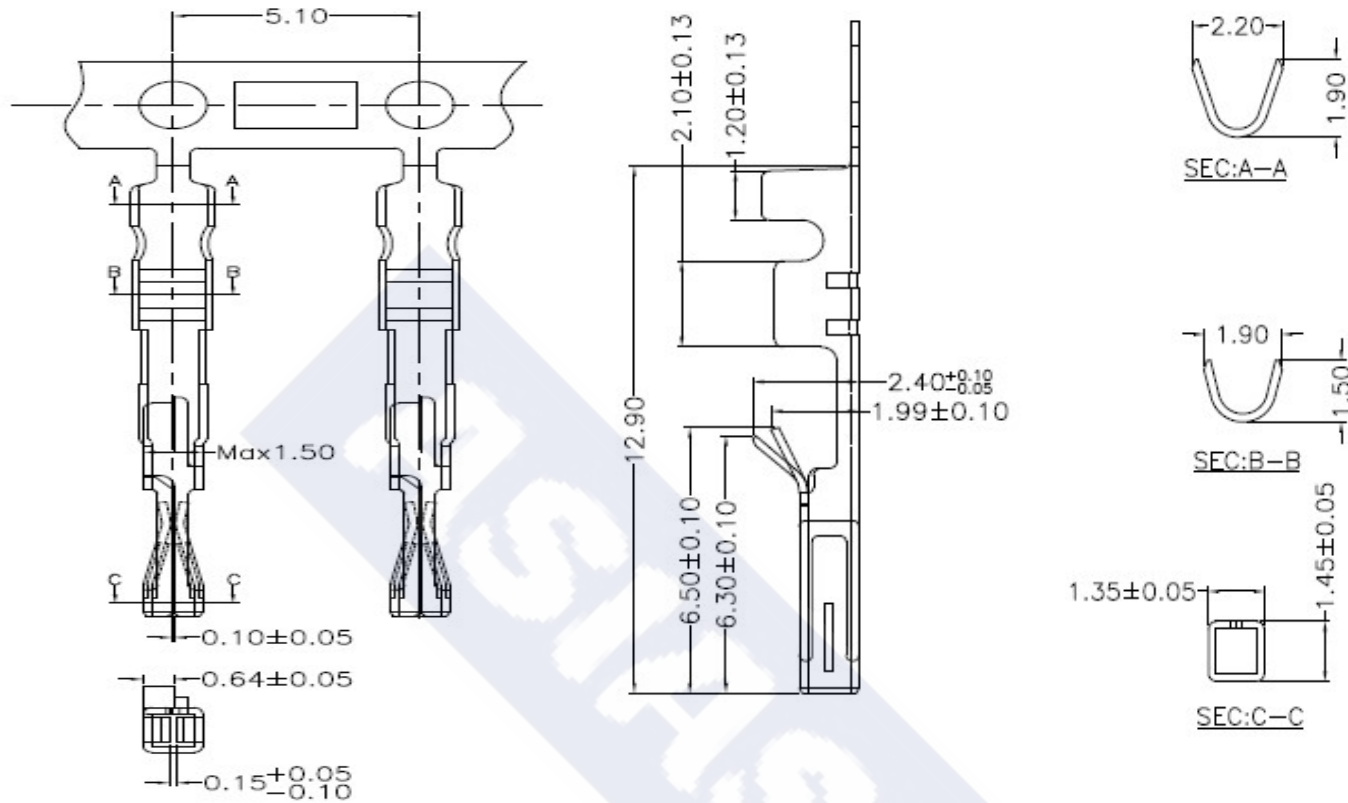


RoHS

Reach



## Ordering Information &amp; Specification

Part NO.	Wire Range	Insulation O.D.	Material	Finish	SPQ
2541JT-TP-MA	AWG#22~AWG#26	1.63mm(max)	Phosphor Bronze	Tin-plated	15,000 pcs/reel
2541JT-GP-MA	AWG#22~AWG#26	1.63mm(max)	Phosphor Bronze	Gold-flash	15,000 pcs/reel

\*\* Stamping before plating

**ASIAS** ASIAS TECHNOLOGY CO.,LTD.

DESCRIPTION :  
**2.54mm Pitch,  
 Crimp Terminal, MA Type**

PART NO. :  
**2541JT-XP-MA**

## GENERAL TOLERANCE

X.X ± 0.25  
 X.XX ± 0.15  
 X.XXX ± 0.05

SCALE : Free

