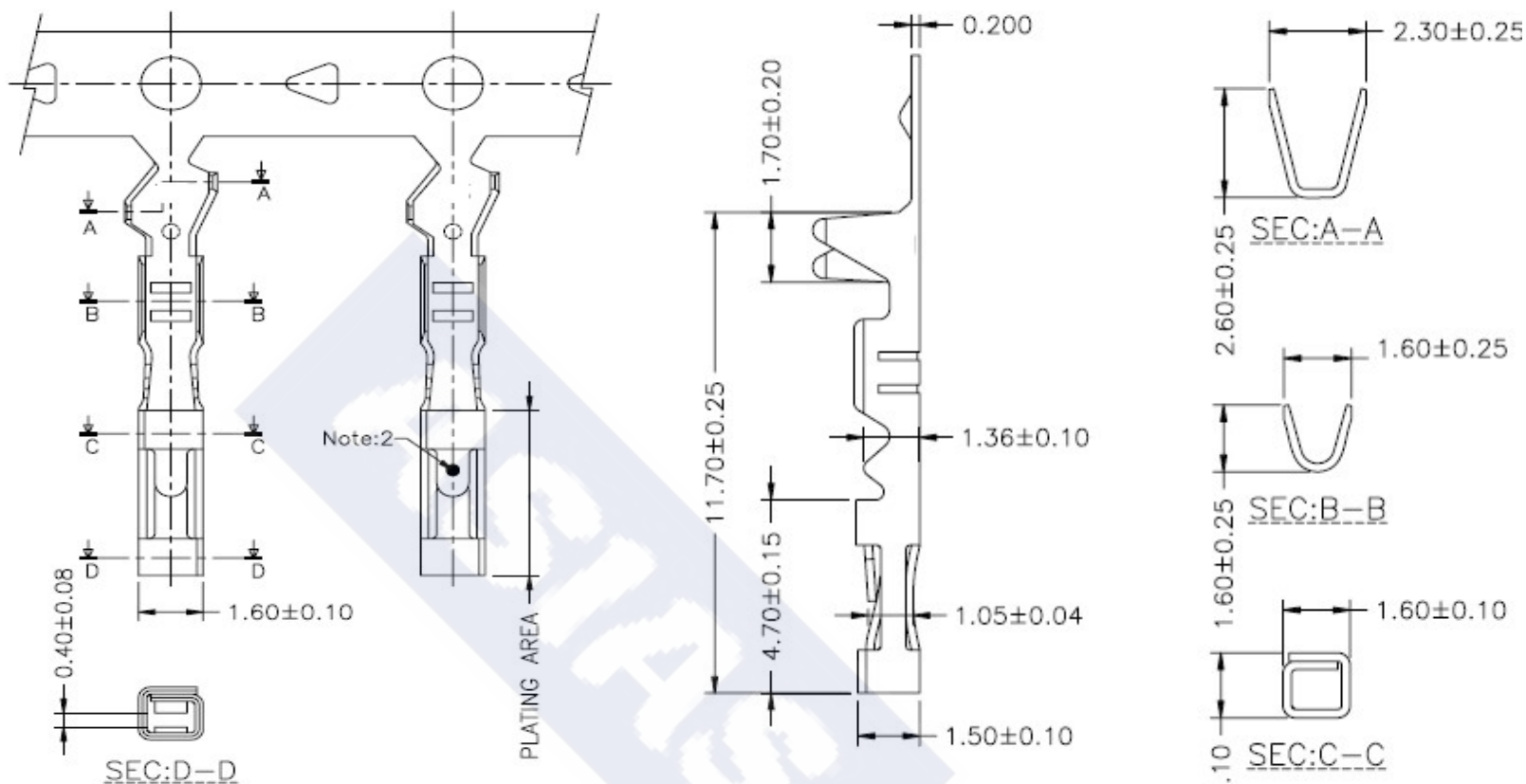


RoHS

Reach



## Ordering Information &amp; Specification

Part NO.	Wire Range	Insulation O.D.	Material	Finish	SPQ
2541JT-HP-J	AWG#22~AWG#26	1.63mm(max)	Phosphor Bronze	Gold-flash	15,000 pcs/reel
2541JT-HB-J	AWG#22~AWG#26	1.63mm(max)	Brass	Gold-flash	15,000 pcs/reel

\*\* Stamping before plating

DESCRIPTION :  
**2.54mm Pitch,  
 Crimp Terminal, J Type**

PART NO. :  
**2541JT-HX-J**

## GENERAL TOLERANCE

X.X  $\pm$  0.25  
 X.XX  $\pm$  0.15  
 X.XXX  $\pm$  0.05

SCALE : Free

