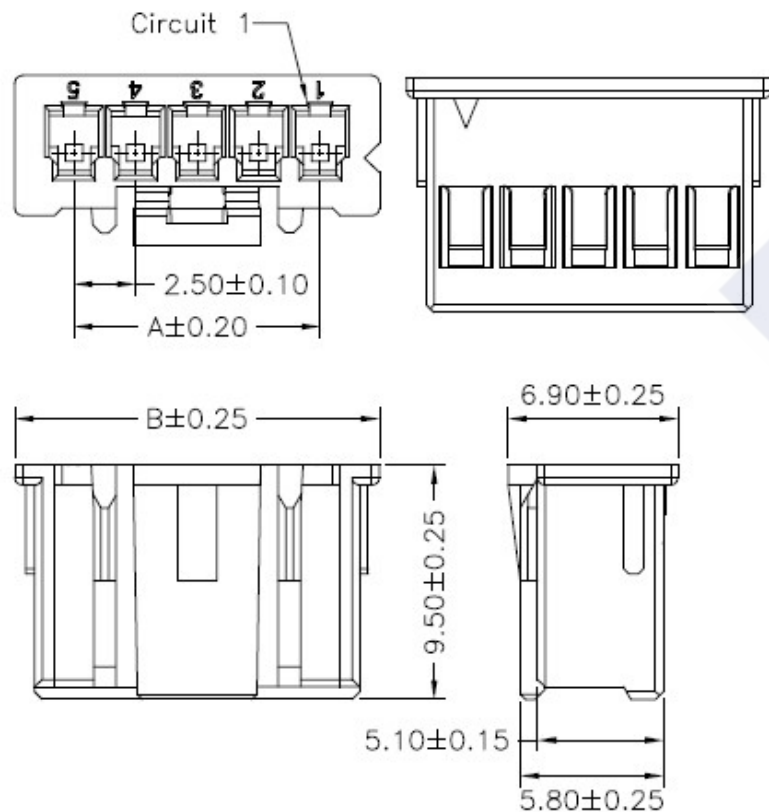


RoHS

Reach



## Ordering Information &amp; Dimension

Circuit No.	Dimensions		Circuit NoA	Dimensions	
	A	B		AB	B
02	2.50	7.30	10	22.50	27.30
03	5.00	9.80	11	25.00	29.80
04	7.50	12.30	12	27.50	32.30
05	10.00	14.80	13	30.00	34.80
06	12.50	17.30	14	32.50	37.30
07	15.00	19.80	15	35.00	39.80
08	17.50	22.30	20	47.50	52.30
09	20.00	24.80			

Explanation of PN.

**2508J H XX - 3 WH**

① ② ③ ④ ⑤

- ① Series No.
- ② Connector Type : Housing
- ③ Circuits No.
- ④ Insulator Material : 3 : Nylon66, UL 94-V0
- ⑤ Color : WH : White

Specification :

Current Rating : 3A AC,DC

Voltage Rating : 250V AC,DC

Temperature Range : -25°C ~ +85°C

Contact Resistance : 20mΩ Max.

Insulation Resistance : 1000mΩ Min.

Withstanding Voltage : 1000V AC/minute

Insulator Material : Nylon66, UL 94-V0

**DESCRIPTION :**  
**2.50mm Pitch,**  
**Housing, Single Row**

**PART NO. :**  
**2508JHXX-3WH**

**GENERAL TOLERANCE**

X.X ± 0.25  
 X.XX ± 0.15  
 X.XXX ± 0.05

SCALE : Free

