

RoHS

Reach

## Ordering Information &amp; Dimension

Explanation of PN.

**2501J H XX - 3 WH**

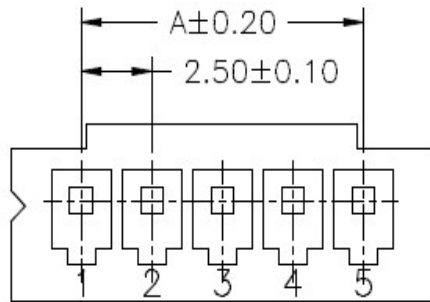
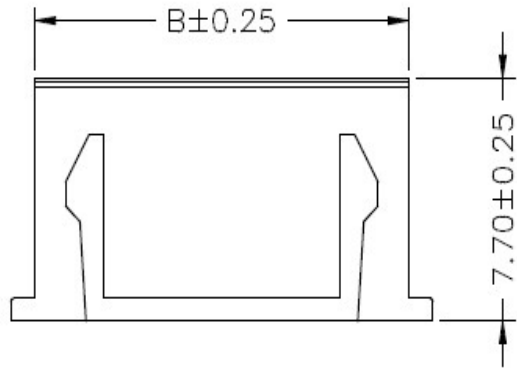
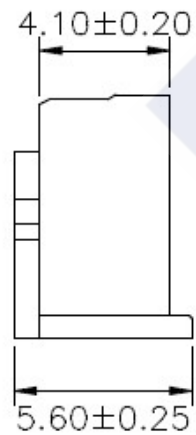
① ② ③ ④ ⑤

- ① Series No.
- ② Connector Type : Housing
- ③ Circuits No.
- ④ Insulator Material : 3 : Nylon66, UL 94-V0
- ⑤ Color : WH : White

Specification :

- Current Rating : 3A AC,DC
- Voltage Rating : 250V AC,DC
- Temperature Range : -25°C ~ +85°C
- Contact Resistance : 10mΩ Max.
- Insulation Resistance : 1000mΩ Min.
- Withstanding Voltage : 1000V AC/minute
- Insulator Material : Nylon66, UL 94-V0

Circuit NO.	Dimensions	
	A	B
02	2.50	5.70
03	5.00	8.20
04	7.50	10.70
05	10.00	13.20
06	12.50	15.70
07	15.00	18.20
08	17.50	20.70
09	20.00	23.20
10	22.50	25.70
11	25.00	28.20
12	27.50	30.70
13	30.00	33.20
14	32.50	35.70
15	35.00	38.20
16	37.50	40.70
17	40.00	43.20
18	42.50	45.70
19	45.00	48.20
20	47.50	50.70



Circuit 1

DESCRIPTION :  
**2.50mm Pitch,  
 Housing, Single Row**

PART NO. :  
**2501JHXX-3WH**

## GENERAL TOLERANCE

X.X ± 0.25  
 X.XX ± 0.15  
 X.XXX ± 0.05

SCALE : Free

