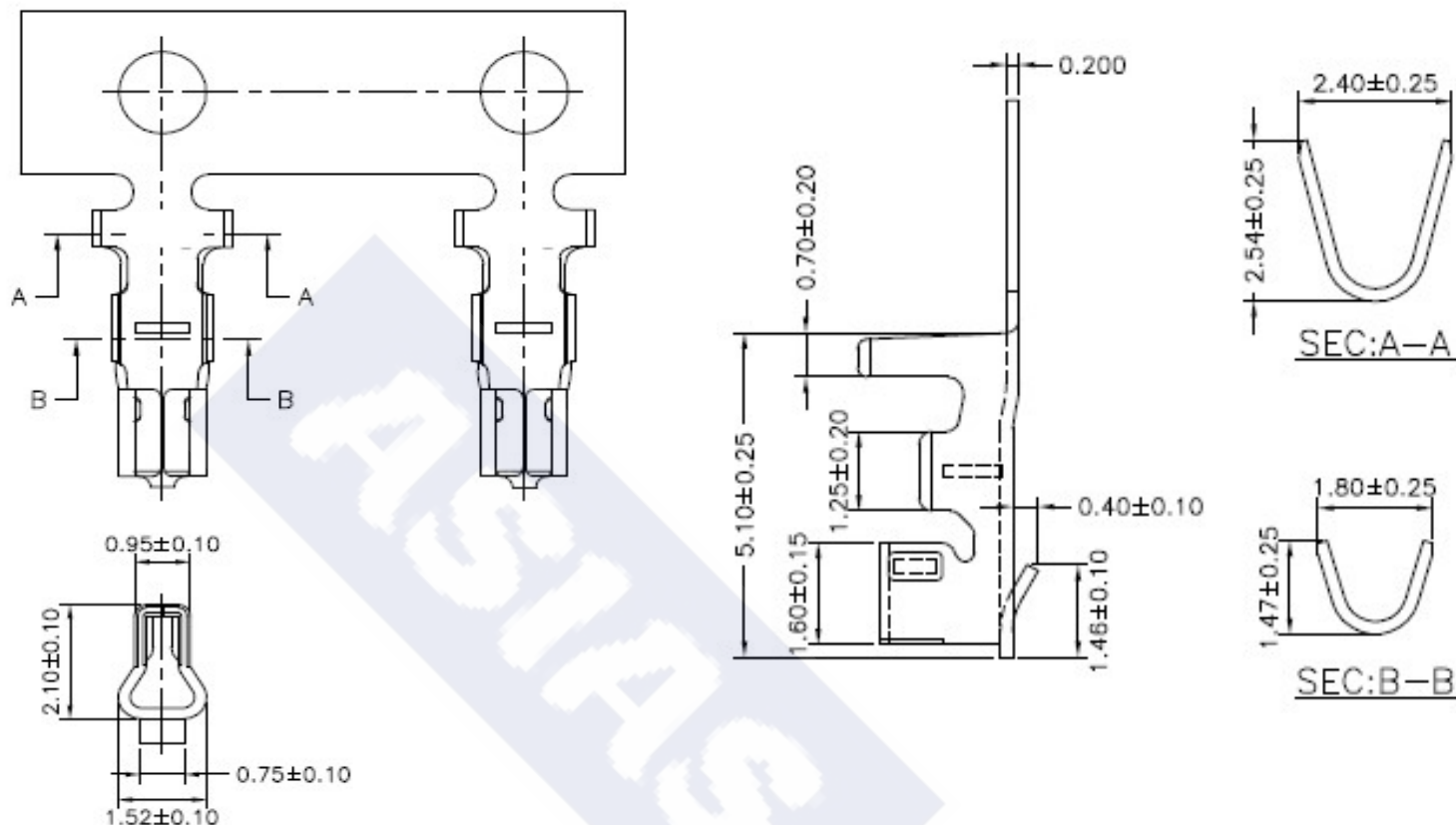


RoHS

Reach



## Ordering Information &amp; Specification

Part NO.	Wire Range	Insulation O.D.	Material	Finish	SPQ
2100JT-TP	AWG#24~AWG#28	1.50mm(max)	Phosphor Bronze	Tin-plated	10,000 pcs/reel

\*\* Stamping before plating

DESCRIPTION :  
**2.00mm Pitch,  
 Crimp Terminal**

PART NO. :  
**2100JT-TP**

## GENERAL TOLERANCE

X.X ± 0.25  
 X.XX ± 0.15  
 X.XXX ± 0.05

SCALE : Free

