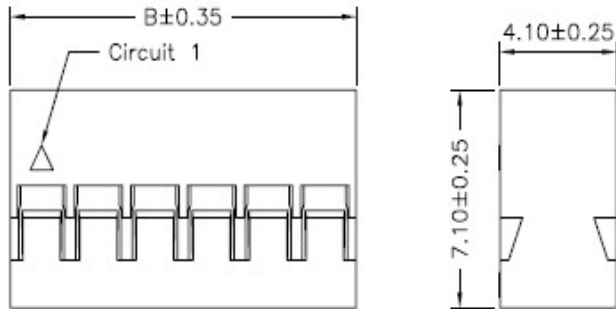
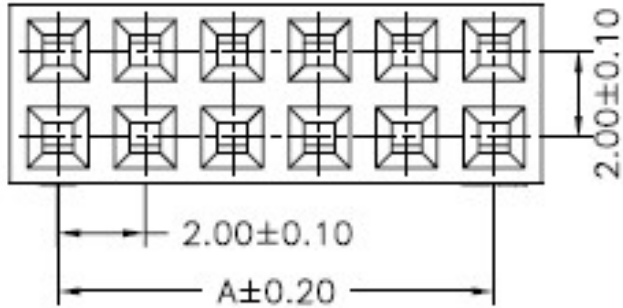


RoHS

Reach



Without the protrusion

Ordering Information & Dimension

Circuit NO.	Dimensions		Circuit NO.	Dimensions	
	A	B		A	B
04	2.00	4.00	44	42.00	44.00
06	4.00	6.00	46	44.00	46.00
08	6.00	8.00	48	46.00	48.00
10	8.00	10.00	50	48.00	50.00
12	10.00	12.00	52	50.00	52.00
14	12.00	14.00	54	52.00	54.00
16	14.00	16.00	56	54.00	56.00
18	16.00	18.00	58	56.00	58.00
20	18.00	20.00	60	58.00	60.00
22	20.00	22.00	62	60.00	62.00
24	22.00	24.00	64	62.00	64.00
26	24.00	26.00	66	64.00	66.00
28	26.00	28.00	68	66.00	68.00
30	28.00	30.00	70	68.00	70.00
32	30.00	32.00	72	70.00	72.00
34	32.00	34.00	74	72.00	74.00
36	34.00	36.00	76	74.00	76.00
38	36.00	38.00	78	76.00	78.00
40	38.00	40.00	80	78.00	80.00
42	40.00	42.00			

Explanation of PN.

2016J H D XX - 3 BK

① ② ③ ④ ⑤ ⑥

- ① Series No.
- ② Connector Type : Housing
- ③ Row Type : Dual Row
- ④ Circuits No.
- ⑤ Insulator Material : 3 : Nylon66, UL 94-V0
- ⑥ Color : BK : Black

Specification :

Current Rating : 2A AC,DC

Voltage Rating : 250V AC,DC


Temperature Range : -25°C ~ +85°C

Contact Resistance : 20mΩ Max.

Insulation Resistance : 1000mΩ Min.

Withstanding Voltage : 1000V AC/minute

Insulator Material : Nylon66, UL 94-V0

	DESCRIPTION : 2.00mm Pitch, Housing, Dual Row, Without the Protrusion	GENERAL TOLERANCE	
	PART NO. : 2016JHDXX-3BK	X.X ± 0.25 X.XX ± 0.15 X.XXX ± 0.05	SCALE : Free 