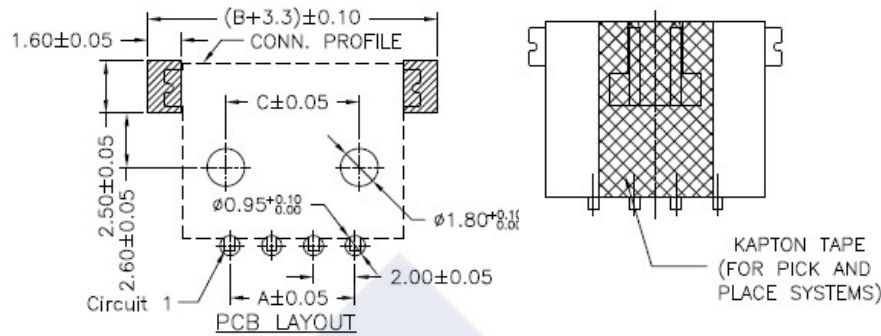


RoHS

Reach

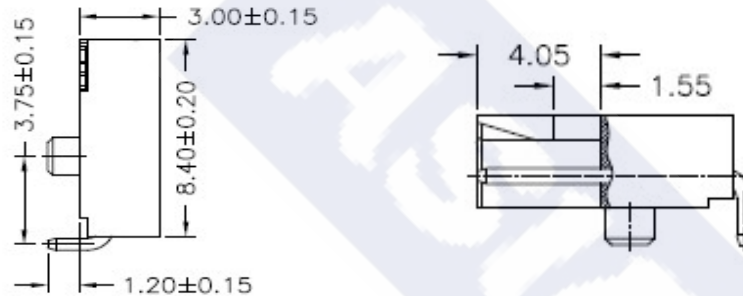
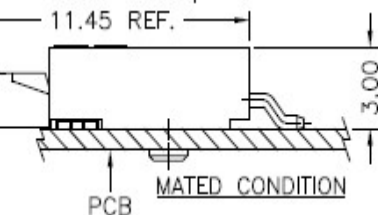
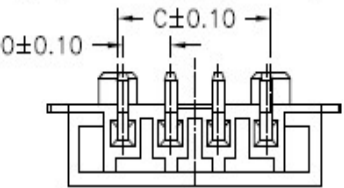
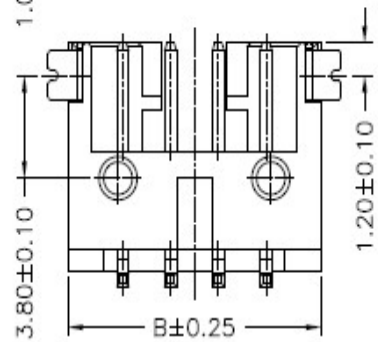
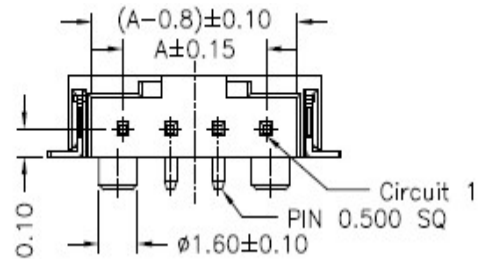


Explanation of PN.

2014J R F XX - 6 NL 2 2

① ② ③ ④ ⑤ ⑥ ⑦ ⑧

- ① Series No.
- ② Connector Type : Right Angle
- ③ Option Type : With Foot
- ④ Circuits No.
- ④ Insulator Material : 6 : LCP, UL 94-V0
- ⑤ Color : NL : Natural(Beige)
- ⑦ Contact Plating : 2 : Gold-flash
- ⑧ Soldering Tab : 2 : Gold-flash



Ordering Information & Dimension

Circuit No.	Dimensions		
	A	B	C
04	6.00	10.60	6.40
06	10.00	14.60	10.40
08	14.00	18.60	14.40

Specification :

Current Rating : 3A AC,DC

Voltage Rating : 250V AC,DC

Temperature Range : -25°C ~ +85°C

Contact Resistance : 30mΩ Max.

Insulation Resistance : 1000mΩ Min.

Withstanding Voltage : 500V AC/minute

Pin Material : Brass

Soldering Tab : Brass

Insulator Material : LCP, UL 94-V0

	DESCRIPTION : 2.00mm Pitch, Receptacle, Single Row, DIP, Right Angle, With Foot	GENERAL TOLERANCE	
	PART NO. : 2014JRFXX-6NL22	X.X ± 0.25 X.XX ± 0.15 X.XXX ± 0.05	SCALE : Free