

RoHS

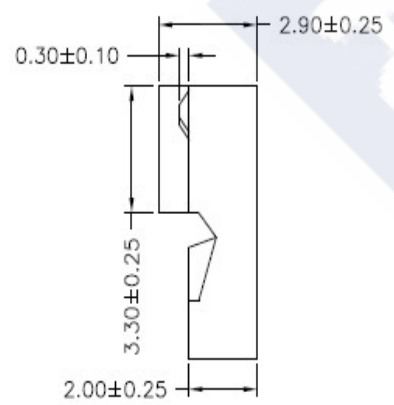
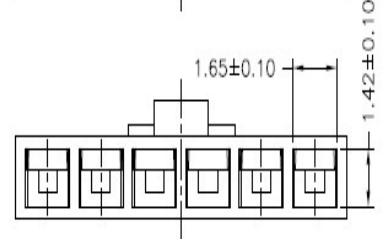
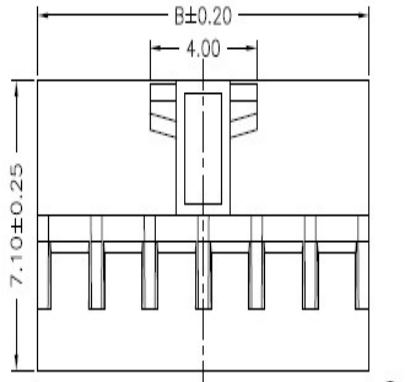
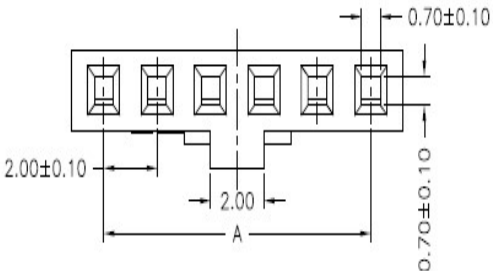
Reach

Explanation of PN.

2014J H XX - 3 WH

① ② ③ ④ ⑤

- ① Series No.
- ② Connector Type : Housing
- ③ Circuits No.
- ④ Insulator Material : Nylon66, UL 94-V0
- ⑤ Color : WH : White



Ordering Information & Dimension

Circuit No.	Dimensions	
	A	B
04	6.00	8.40
06	10.00	12.40

- Specification :
- Current Rating : 3A AC,DC
 - Voltage Rating : 250V AC,DC
 - Temperature Range : -25°C ~ +85°C
 - Contact Resistance : 30mΩ Max.
 - Insulation Resistance : 1000mΩ Min.
 - Withstanding Voltage : 500V AC/minute
 - Insulator Material : Nylon66, UL 94-V0

	DESCRIPTION : 2.00mm Pitch, Housing, Single Row	GENERAL TOLERANCE	
	PART NO. : 2014JHXX-3WH	X.X ± 0.25 X.XX ± 0.15 X.XXX ± 0.05	SCALE : Free