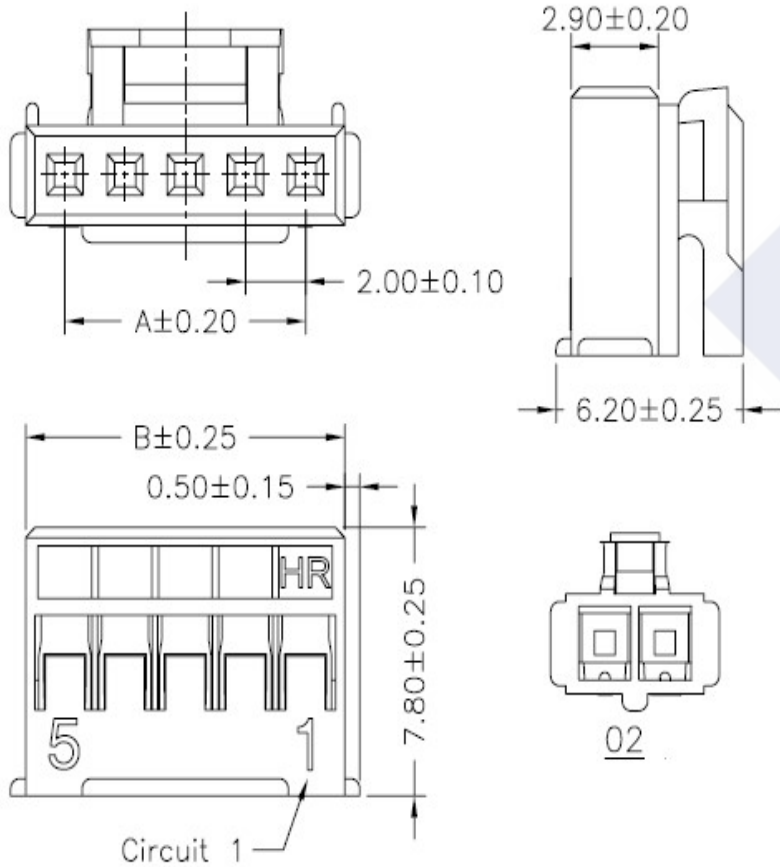


RoHS

Reach



Ordering Information & Dimension

Circuit No.	Dimensions		Circuit No.	Dimensions	
	A	B		A	B
02	2.00	4.60	10	18.00	20.60
03	4.00	6.60	11	20.00	22.60
04	6.00	8.60	12	22.00	24.60
05	8.00	10.60	13	24.00	26.60
06	10.00	12.60	14	26.00	28.60
07	12.00	14.60	15	28.00	30.60
08	14.00	16.60	16	30.00	32.60
09	16.00	18.60			

Explanation of PN.

2006J H XX - 3 XX

① ② ③ ④ ⑤

- ① Series No.
- ② Connector Type : Housing
- ③ Circuits No.
- ④ Insulator Material : Nylon66, UL 94-V0
- ⑤ Color : WH : White
BK : Black

Specification :

- Current Rating : 3A AC,DC
- Voltage Rating : 250V AC,DC
- Temperature Range : -25°C ~ +85°C
- Contact Resistance : 30mΩ Max.
- Insulation Resistance : 1000mΩ Min.
- Withstanding Voltage : 1000V AC/minute
- Insulator Material : Nylon66, UL 94-V0

DESCRIPTION :
2.00mm Pitch,
Housing, Single Row

PART NO. :
2006JHXX-3XX

GENERAL TOLERANCE

SCALE : Free

X.X ± 0.25
 X.XX ± 0.15
 X.XXX ± 0.05

