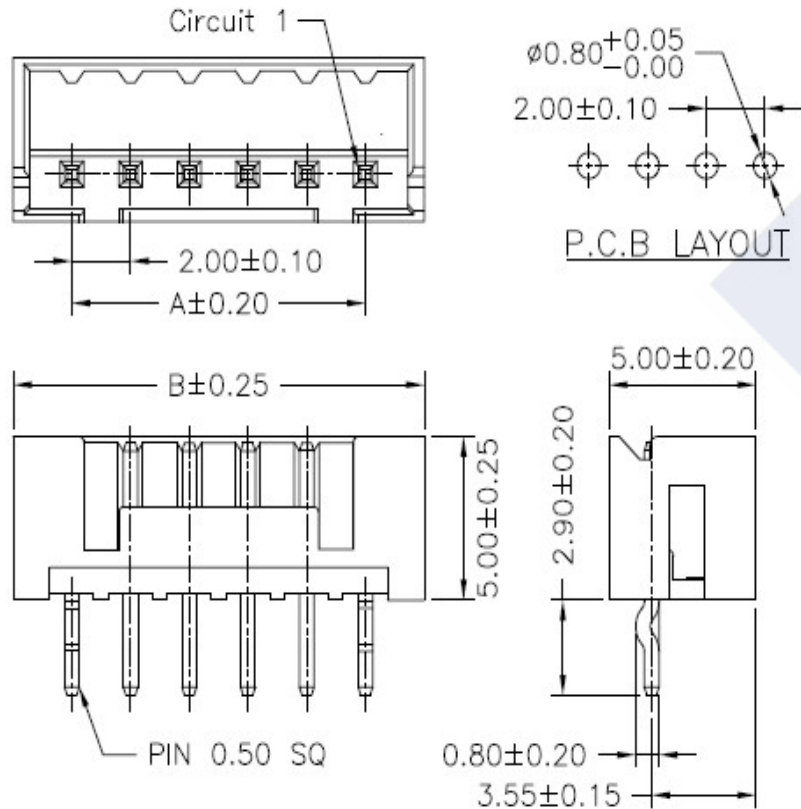


RoHS

Reach



Ordering Information & Dimension

Circuit NO.	Dimensions	
	A	B
02	2.00	6.00
03	4.00	8.00
04	6.00	10.00
05	8.00	12.00
06	10.00	14.00
07	12.00	16.00
08	14.00	18.00
09	16.00	20.00
10	18.00	22.00
11	20.00	24.00
12	22.00	26.00
13	24.00	28.00
14	26.00	30.00
15	28.00	32.00

Explanation of PN.

2005J V XX - 4 BK 2

① ② ③ ④ ⑤ ⑥

- ① Series No.
- ② Connector Type : Straight Angle
- ③ Circuits No.
- ④ Insulator Material : 4 : Nylon6T, UL 94-V0
- ⑤ Color : BK : Black
- ⑥ Contact Plating : 2 : Gold-flash

Specification :

Current Rating : 3A AC,DC

Voltage Rating : 250V AC,DC

Temperature Range : -25°C ~ +85°C

Contact Resistance : 30mΩ Max.

Insulation Resistance : 1000mΩ Min.

Withstanding Voltage : 650V AC/minute

Pin Material : Brass

Insulator Material : Nylon6T, UL 94-V0

DESCRIPTION :
2.00mm Pitch,
Receptacle, Single Row, DIP,
Straight Angle

PART NO. :
2005JVXX-4BK2

GENERAL TOLERANCE

X.X ± 0.25
X.XX ± 0.15
X.XXX ± 0.05

SCALE : Free

