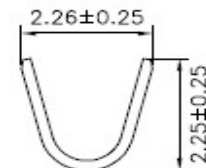
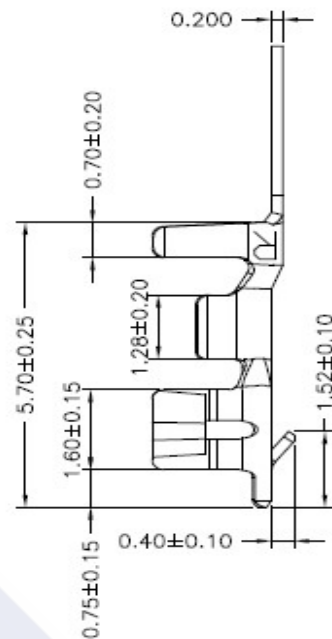
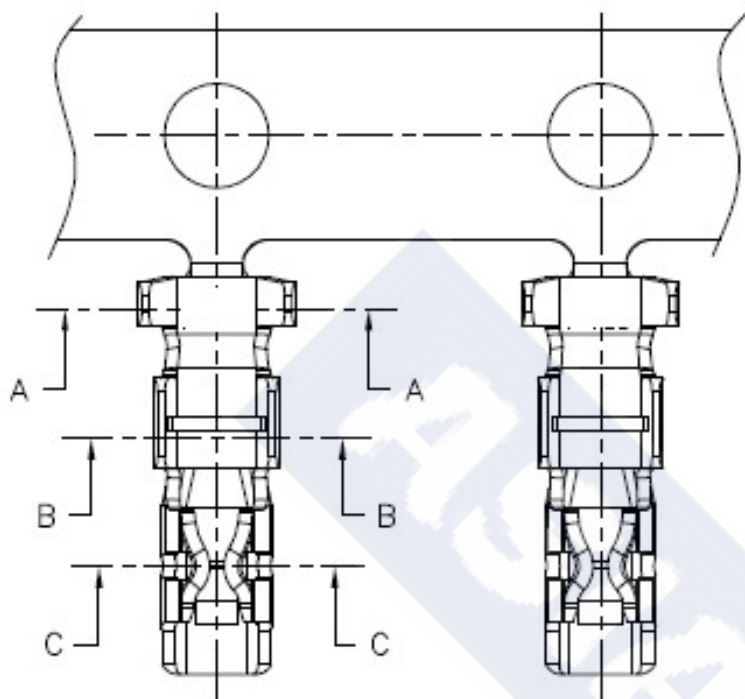
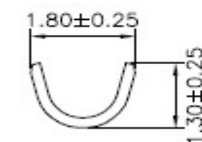


RoHS

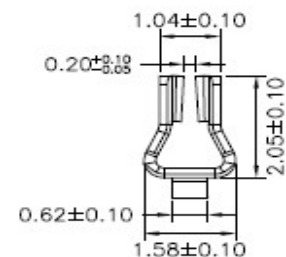
Reach



SEC:A-A



SEC:B-B



SEC:C-C

Ordering Information & Specification

Part NO.	Wire Range	Insulation O.D.	Material	Finish	SPQ
2005JT-TP	AWG#22~AWG#28	1.45mm(max)	Phosphor Bronze	Tin-plated	10,000 pcs/reel
2005JT-GP	AWG#22~AWG#28	1.45mm(max)	Phosphor Bronze	Gold-flash	10,000 pcs/reel

** Stamping before plating

DESCRIPTION :
**2.00mm Pitch,
 Crimp Terminal**

PART NO. :
2005JT-XP

GENERAL TOLERANCE

X.X ± 0.25
 X.XX ± 0.15
 X.XXX ± 0.05

SCALE : Free

