

RoHS

Reach

Explanation of PN.

2005J R XX - 4 BK 2

① ② ③ ④ ⑤ ⑥

- ① Series No.
- ② Connector Type : Right Angle
- ③ Circuits No.
- ④ Insulator Material : 4 : Nylon6T, UL 94-V0
- ⑤ Color : BK : Black
- ⑥ Contact Plating : 2 : Gold-flash

Ordering Information & Dimension

| Circuit NO. | Dimensions | |
|-------------|------------|-------|
| | A | B |
| 02 | 2.00 | 6.00 |
| 03 | 4.00 | 8.00 |
| 04 | 6.00 | 10.00 |
| 05 | 8.00 | 12.00 |
| 06 | 10.00 | 14.00 |
| 07 | 12.00 | 16.00 |
| 08 | 14.00 | 18.00 |
| 09 | 16.00 | 20.00 |
| 10 | 18.00 | 22.00 |
| 11 | 20.00 | 24.00 |
| 12 | 22.00 | 26.00 |
| 13 | 24.00 | 28.00 |
| 14 | 26.00 | 30.00 |
| 15 | 28.00 | 32.00 |

Specification :

Current Rating : 3A AC,DC

Voltage Rating : 250V AC,DC

Temperature Range : -25°C ~ +85°C

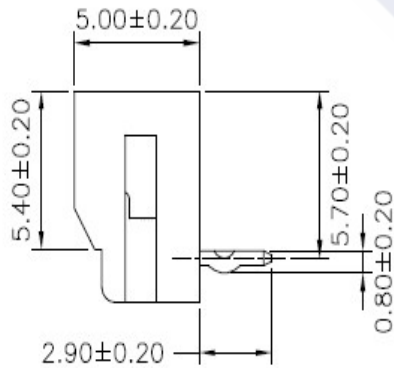
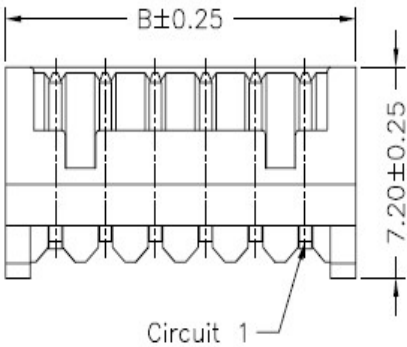
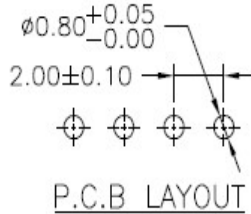
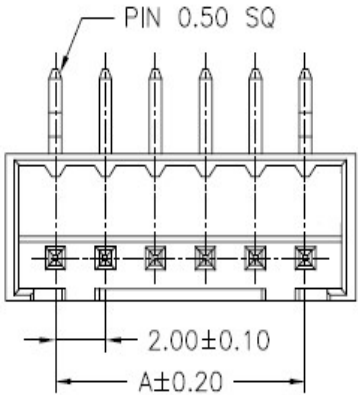
Contact Resistance : 30mΩ Max.

Insulation Resistance : 1000mΩ Min.

Withstanding Voltage : 650V AC/minute

Pin Material : Brass

Insulator Material : Nylon6T, UL 94-V0



| | | | |
|--|--|---|------------------|
| | DESCRIPTION : 2.00mm Pitch, Receptacle, Single Row, DIP, Right Angle | GENERAL TOLERANCE | |
| | PART NO. : 2005JRXX-4BK2 | X.X ± 0.25 X.XX ± 0.15 X.XXX ± 0.05 | SCALE : Free |