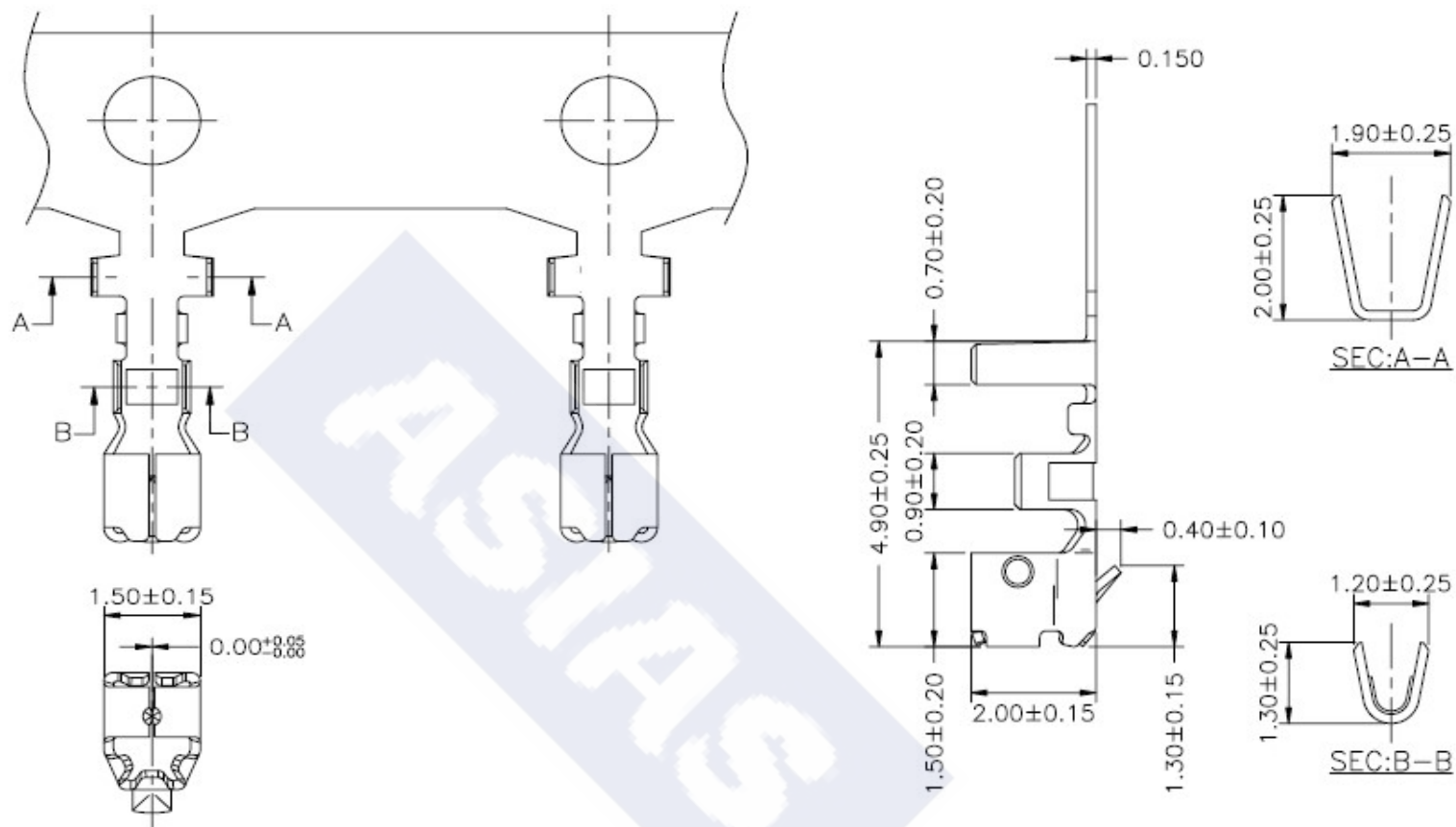


RoHS

Reach



## Ordering Information &amp; Specification

Part NO.	Wire Range	Insulation O.D.	Material	Finish	SPQ
2002JT-TP	AWG#24~AWG#30	1.40mm(max)	Phosphor Bronze	Tin-plated	10,000 pcs/reel

\*\* Stamping before plating

**ASIAS** ASIAS TECHNOLOGY CO.,LTD.

DESCRIPTION :  
**2.00mm Pitch,  
 Crimp Terminal**

PART NO. :  
**2002JT-TP**

## GENERAL TOLERANCE

X.X  $\pm 0.25$   
 X.XX  $\pm 0.15$   
 X.XXX  $\pm 0.05$

SCALE : Free

