

RoHS

Reach

Explanation of PN.

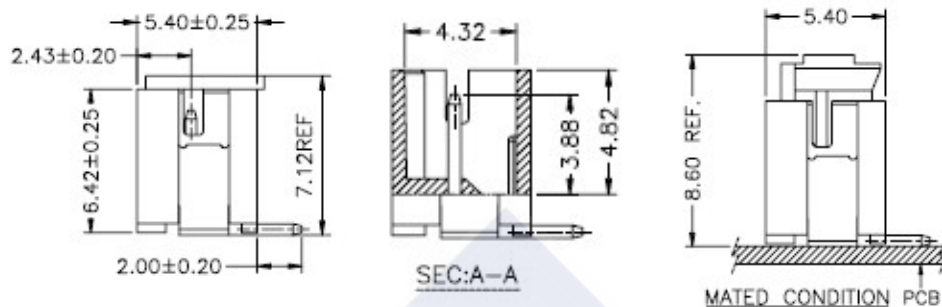
2001J V S XX - X XX X X

① ② ③ ④ ⑤ ⑥ ⑦ ⑧

- ① Series No.
- ② Connector Type : Straight Angle
- ③ Mounting Type : SMD
- ④ Circuits No.
- ⑤ Insulator Material : 4 : Nylon6T, UL 94-V0
6 : LCP, UL 94-V0
- ⑥ Color : NL : Natural(Beige)
BK : Black
- ⑦ Pin Material : 0.Matte Tin-plated ; 2.Gold-flash
- ⑧ Soldering Tab : 0.Matte Tin-plated ; 2.Gold-flash

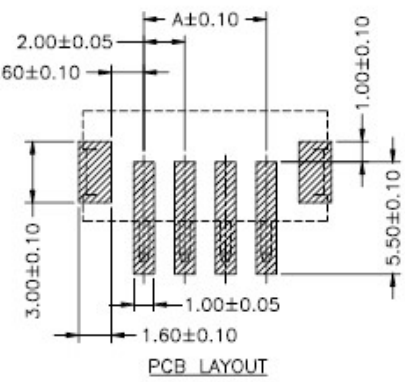
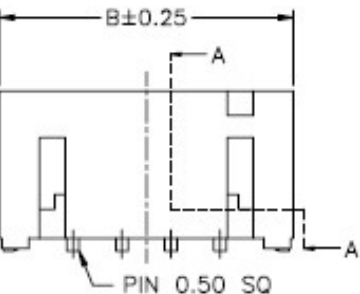
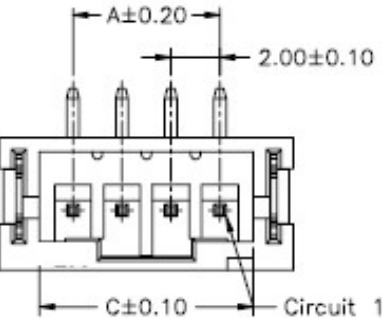
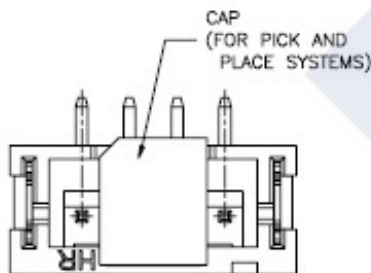
Specification :

- Current Rating : 2A AC,DC
- Voltage Rating : 100V AC,DC
- Temperature Range : -25°C ~ +85°C
- Contact Resistance : 10mΩ Max.
- Insulation Resistance : 1000mΩ Min.
- Withstanding Voltage : 800V AC/minute
- Pin Material : Brass
- Soldering Tab : Brass
- Insulator Material : Nylon6T, UL 94-V0 or LCP, UL 94-V0
- Cap Material : Nylon6T, UL 94-V0



Ordering Information & Dimension

Circuit No.	Dimensions		
	A	B	C
02	2.00	8.00	4.72
03	4.00	10.00	6.72
04	6.00	12.00	8.72
05	8.00	14.00	10.72
06	10.00	16.00	12.72
07	12.00	18.00	14.72
08	14.00	20.00	16.72
09	16.00	22.00	18.72
10	18.00	24.00	20.72
11	20.00	26.00	22.72
12	22.00	28.00	24.72
13	24.00	30.00	26.72
14	26.00	32.00	28.72
15	28.00	34.00	30.72
16	30.00	36.00	32.72



	DESCRIPTION : 2.00mm Pitch, Receptacle, Single row, SMD, Straight Angle	GENERAL TOLERANCE	
	PART NO. : 2001JVSXX-XXXXX	X.X ± 0.25 X.XX ± 0.15 X.XXX ± 0.05	SCALE : Free